



**BARTELL
GLOBAL**

**PARTS
BOOK**

WALK-BEHIND TROWELS

B436, B436E and B436SD



Doc. # PB-B19003
Orig. Rel. - 06/2016
Curr Rev. - 12

www.BartellGlobal.com

CANADA

170 Traders Blvd E
Mississauga, Ontario L4Z 1W7
TEL (647) 953-4100 FAX (647) 953-4101

KENTUCKY

4701 Allmond Ave
Louisville, Kentucky 40209
TEL (425) 405-9100 FAX (425) 405-9101

UK

Honeyholes Lane
Dunholme, Lincoln, UK LN2 3SU
TEL 01673 860709 FAX 01673 861119

NEW JERSEY

200 Commerce Drive, Unit A
Freehold, New Jersey 07728
TEL (848) 225-8100 FAX (848) 225-8101

**ORIGINAL LANGUAGE OPERATING MANUAL FOR
BARTELL RIDE-ON TROWELS**

© 2024 Bartell Global Inc.

No part of this work may be reproduced or transmitted in any form or by any means, electronic or mechanical, including photocopying and recording, or by any information storage or retrieval system without the prior written permission of Bartell Morrison Inc. unless such copying is permitted by federal copyright laws.

ADDRESS INQUIRIES OR REFERENCE PERMISSIONS CARE OF:

Bartell Global, 170 Traders Blvd E., Mississauga, Ontario, Canada, L4Z 1W7

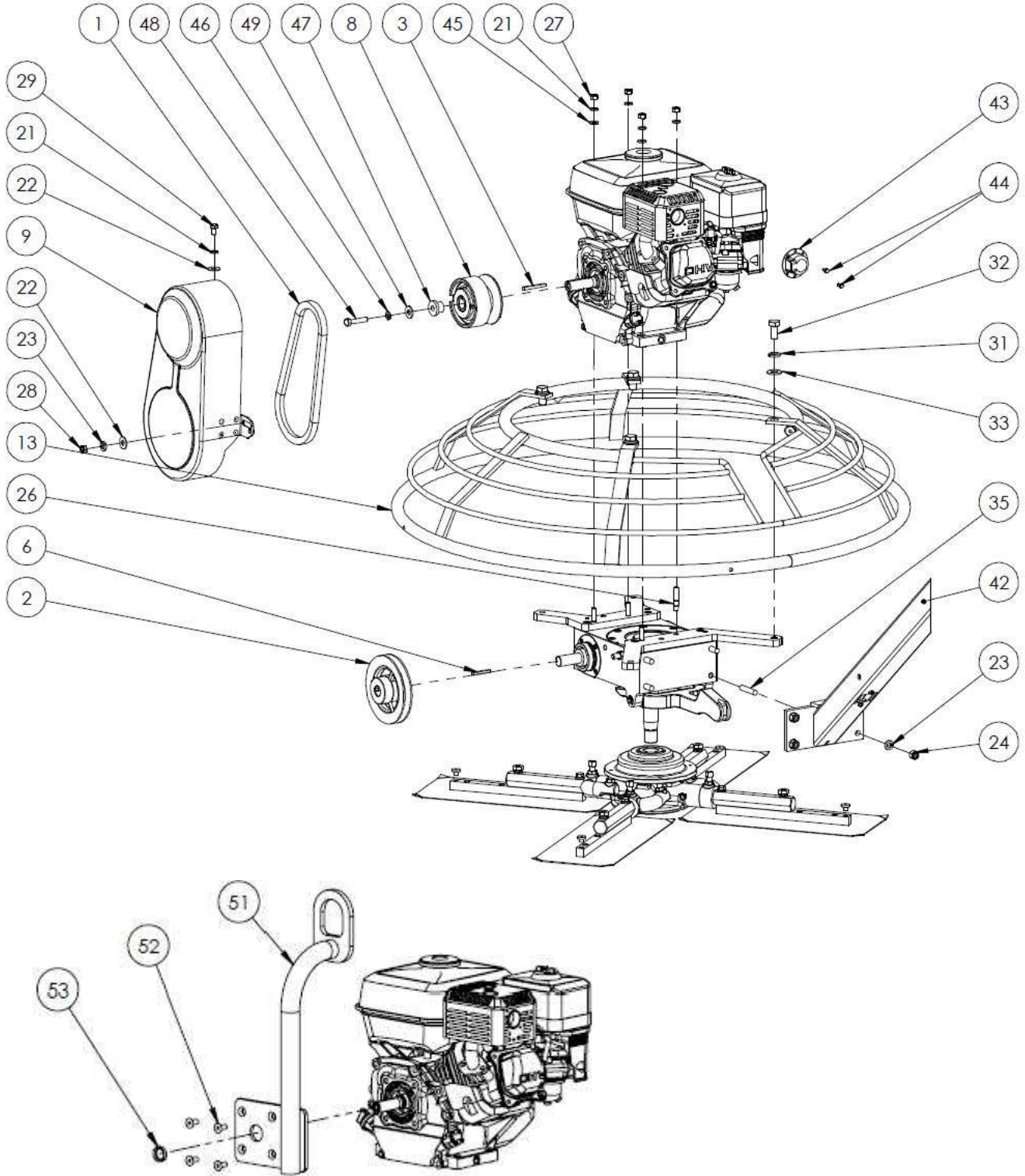
REV.	DATE	DESCRIPTION	APPROVED BY:
02	09/17	Added Easy Pitch parts list and diagram, rearranged the order of parts list, added 20288 – pulley assembly to handle parts lists. General Assembly Updated, Address change, changed handle asm p/n	AN
03	10/17	Parts list 9 changed to reflect correct P/N's	AN
04	02/18	Added decal kit P/N's, updated handle parts/breakout, changed P/N 20618 to 10618 on parts list 3	AN
05	01/19	Updated P/Ns on parts list 11	AN
06	07/19	Updated Easy Pitch P/N's	AN
07	09/19	Address Updates	AN
08	08/20	Pro Pitch Added	AN
09	03/22	Part Number Corrections	AN
10	04/22	Pro Pitch Handle Added, Obsolete Items Removed	AN
11	05/23	Updated logos and update Pro Pitch Handle	AN
12	02/24	Added missing part numbers to Parts List 1	AN

TABLE OF CONTENTS

<u>PARTS LIST 1 – WALK-BEHIND TROWELS</u>	1
GENERAL ASSEMBLY DIAGRAM: B436, B436SD	1
GENERAL ASSEMBLY: B436, B436SD - PARTS LIST 1	2
<u>PARTS LIST 2 – WALK-BEHIND TROWELS</u>	3
BASE UNIT ASSEMBLY DIAGRAM: B436, B436E, B436SD	3
BASE UNIT ASSEMBLY: B436, B436E, B436SD - PARTS LIST 2	4
<u>PARTS LIST 3 – WALK-BEHIND TROWELS</u>	5
GEARBOX ASSEMBLY DIAGRAM: 20921, 20943	5
GEARBOX ASSEMBLY: 20921, 20943 - PARTS LIST 3	6
<u>PARTS LIST 4 – WALK-BEHIND TROWELS</u>	8
CLUTCH ASSEMBLY DIAGRAM: 21027-2, 21029-2	8
CLUTCH ASSEMBLY: 21027-2 (3/4" SHAFT), 21029-2 (1" SHAFT) – PARTS LIST 4	8
<u>PARTS LIST 5 – WALK-BEHIND TROWELS</u>	9
SPIDER PLATE ASSEMBLY DIAGRAM: 20810	9
SPIDER PLATE ASSEMBLY: 20810 – PARTS LIST 5	9
<u>PARTS LIST 6 – WALK-BEHIND TROWELS</u>	10
PRESSURE PLATE ASSEMBLY DIAGRAM: 20627	10
PRESSURE PLATE ASSEMBLY: 20627 – PARTS LIST 6	10
<u>PARTS LIST 7 – WALK-BEHIND TROWELS</u>	11
HANDLE ASSEMBLY DIAGRAM: 20230C FINE PITCH	11
HANDLE ASSEMBLY: 20230C FINE PITCH - PARTS LIST 7	12
<u>PARTS LIST 8 – WALK-BEHIND TROWELS</u>	13
HANDLE ASSEMBLY DIAGRAM: 20230E EUROPEAN SPEC.	13
HANDLE ASSEMBLY: 20230E EUROPEAN SPEC. - PARTS LIST 8	14
<u>PARTS LIST 9 – WALK-BEHIND TROWELS</u>	15
FOLDING HANDLE ASSEMBLY DIAGRAM: 20229C	15
FOLDING HANDLE ASSEMBLY: 20229C – PARTS LIST 9	16
<u>PARTS LIST 10 – WALK-BEHIND TROWELS</u>	17
PRO PITCH HANDLE ASSEMBLY DIAGRAM: 20730	17
PRO PITCH HANDLE ASSEMBLY: 20730 – PARTS LIST 10	18
<u>PARTS LIST 11 – WALK-BEHIND TROWELS</u>	19
BLADE KIT ASSEMBLY DIAGRAM	19
B436 BLADE KIT – PARTS LIST 11	19

PARTS LIST 1 – WALK-BEHIND TROWELS

GENERAL ASSEMBLY DIAGRAM: B436, B436SD

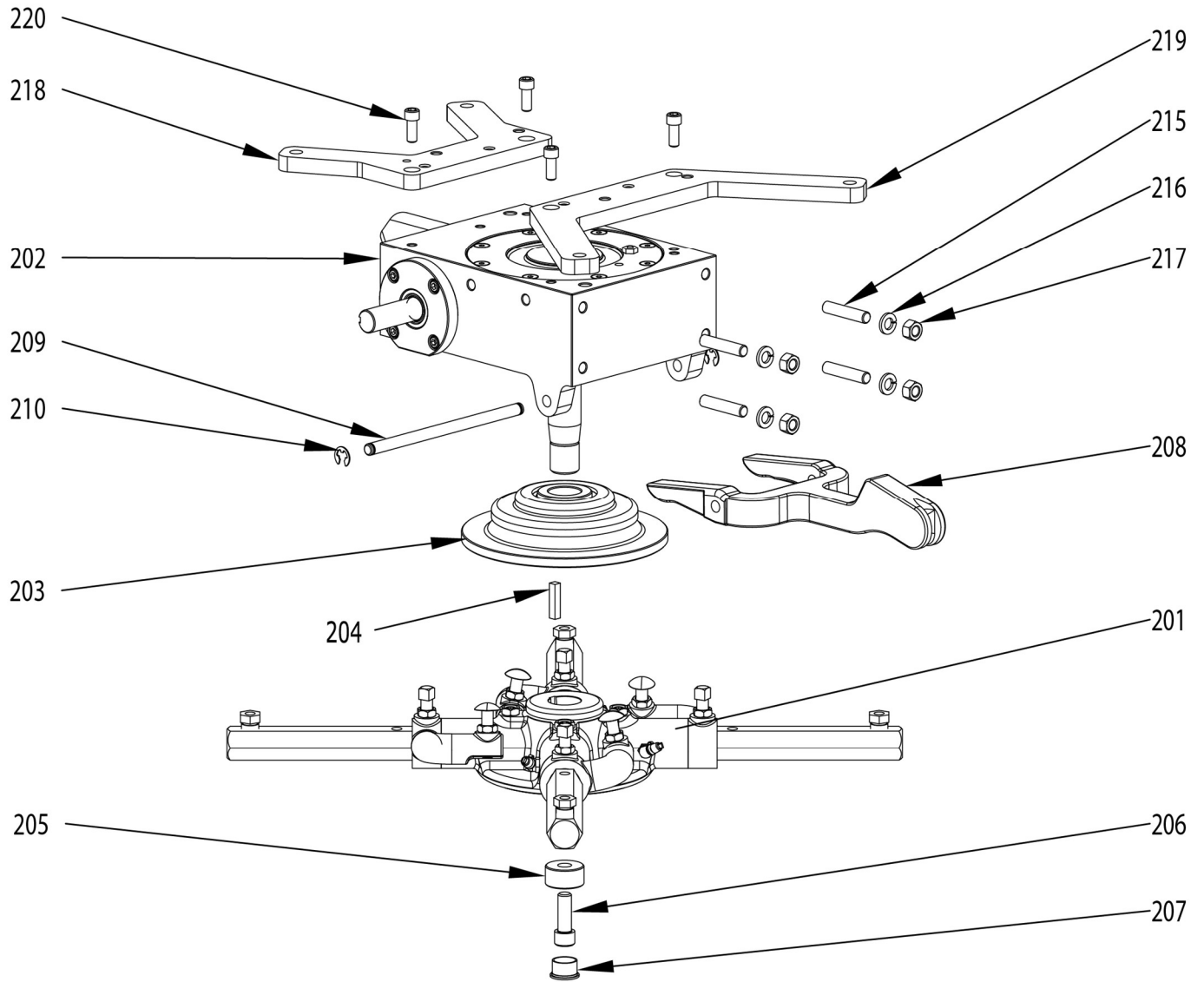


GENERAL ASSEMBLY: B436, B436SD - PARTS LIST 1

Item #	Part #	Description	QTY	Remarks
1	10740 (GX160) 11047 (GX270)	BELT, B25 BELT, B28	1	10/09/2012 8/16/2007
2	10739 (GX160) 14285 (GX270)	SHEAVE/PULLEY, 5.45" OD SHEAVE/PULLEY, 5.75" OD	1	10/09/2012
3	10206 (GX160) 11003(GX270)	SQUARE KEY, 3/16" x 1 7/8" LG SQUARE KEY, 1/4" x 2" LG	1	8/16/2007
6	10208	SQUARE KEY, 3/16" x 1 1/2" LG	1	8/16/2007
8	21027-2 (GX160) 21029-2 (GX270)	CLUTCH, 3/4" BORE CLUTCH, 1" BORE	1	06/08/2004
9	21067-1	BELT GUARD	1	10/09/2012
13	20447	GUARD RING	1	06/08/2004
21	10402 (GX160) 10902 (GX270)	WASHER, LOCK, 5/16" WASHER, LOCK, 3/8"	4	06/08/2004
22	10919	WASHER, FLAT, 5/16"	2	
23	10902	WASHER, LOCK, 3/8"	5	
24	10901	HEX NUT, 3/8"-16UNC, GRADE 5	4	
26	14653 (GX160) 14650 (GX270)	STUD, ENGINE MOUNT -	4	1/16/2013 4/15/2011
27	10915 (GX160) 10901 (GX270)	HEX NUT, 5/16"-18UNC, GRADE 5 HEX NUT, 3/8"-16UNC, GRADE 5	4	06/08/2004
28	10901	HEX NUT, 3/8"-16UNC, GRADE 5	1	
29	10409	HHCS,5/16-18x1/2"LG,	1	
31	10009	WASHER, LOCK, 1/2"	4	4/15/2011
32	13781	HHCS, 1/2-13UNC x 1" LG	4	4/15/2011
33	50026	WASHER, FLAT, 1/2"	4	4/15/2011
35	11339	STUD	4	
42	20230C 20230E 20229 20360	HANDLE ASSEMBLY, FINE PITCH HANDLE ASSEMBLY, EU SPEC. HANDLE ASSEMBLY, FOLDING HANDLE ASSEMBLY, PRO PITCH	1	07/20/2014
43	11112	MUFFLER DEFLECTOR	1	8/21/2007
44	11115	BOLT, HEX HEAD, #8 3/8",	2	4/15/2011
45	10919 (GX160) 10905 (GX270)	WASHER, FLAT, 5/16" WASHER, FLAT, 3/8"	4	4/15/2011 4/15/2011
46	10402 (GX160) N/A (GX270)	LOCKWASHER,5/16", MEDIUM SPLIT -	1	07/01/2017
47	20289 (GX160) N/A (GX270)	CLUTCH SLEEVE -	1	07/01/2017
48	981045 (GX160) 993480 (GX160) N/A (GX270)	HHCS,5/16-24NFx1-1/2" LG HHCS, 5/16-24UNF X 1-3/4" LG (HOIST HOOK) -	1	07/01/2017
49	10919 (GX160) N/A (GX270)	WASHER, FLAT,5/16" DIA -	1	07/01/2017
51	20189 (GX160) 20171 (GX270)	HOIST HOOK (OPTIONAL)	1	06/08/2004
52	30041	FHSCS, 5/16"-24 x 3/4" (W/ HOIST HOOK)	4	06/08/2004
53	11254 (GX160)	CLUTCH SPACER (W/ HOIST HOOK)	1	06/08/2004
	01109-B436-1	DECAL KIT, B436	1	
	01109-FAM-B	ROUND BARTELL DECAL	1	

PARTS LIST 2 – WALK-BEHIND TROWELS

BASE UNIT ASSEMBLY DIAGRAM: B436, B436E, B436SD

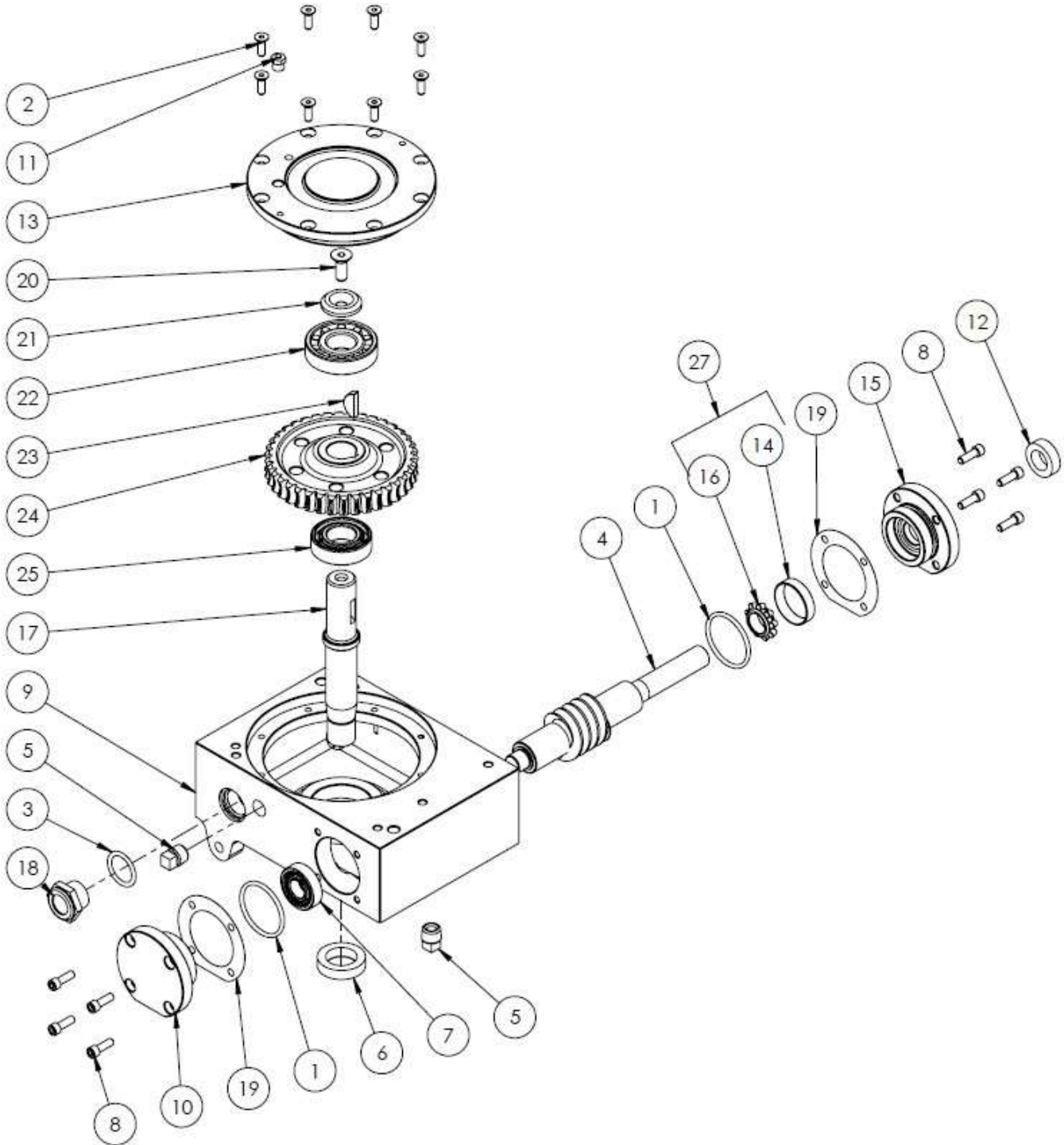


BASE UNIT ASSEMBLY: B436, B436E, B436SD - PARTS LIST 2

Item #	Part #	Description	QTY	Remarks
201	20810	SPIDER PLATE ASSEMBLY (SEE PARTS LIST 5)	1	5/1/2004
202	20921	GEARBOX ASSEMBLY, B436, B436E	1	4/7/1998
	20943	GEARBOX ASSEMBLY, B436SD (SEE PARTS LIST 3)		4/7/1998
203	20627	PRESSURE PLATE ASSEMBLY (SEE PARTS LIST 6)	1	1/1/1997
204	10608	KEY, 1/4" SQ x 1-5/32" LG	1	1/1/1997
205	10814	SPIDER PLATE RETAINER	1	1/1/1997
206	10812	SHCS, 7/16"-14UNC x 1 1/4" LG	1	1/1/1997
207	10823	CAP PLUG EC-12	1	1/1/1997
208	10312	YOKE ARM	1	3/1/2004
209	10923	YOKE PIN	1	1/1/1997
210	10922	RETAINING RING, E TYPE, 3/8" DIA	2	1/1/1997
215	11339	STUD, 3/8"-16 x 1-1/2" LG	4	1/1/1997
216	10902	WASHER, LOCK, 3/8" DIA, MEDIUM	4	1/1/1997
217	10901	HEX NUT, 3/8"-16UNC	4	1/1/1997
218	15344	MOUNTING RAIL, FRONT	1	5/15/2011
219	15345	MOUNTING RAIL, REAR	1	5/15/2011
220	10357	SHCS, 5/16-18x3/4" LG	4	5/15/2011

PARTS LIST 3 – WALK-BEHIND TROWELS

GEARBOX ASSEMBLY DIAGRAM: 20921, 20943



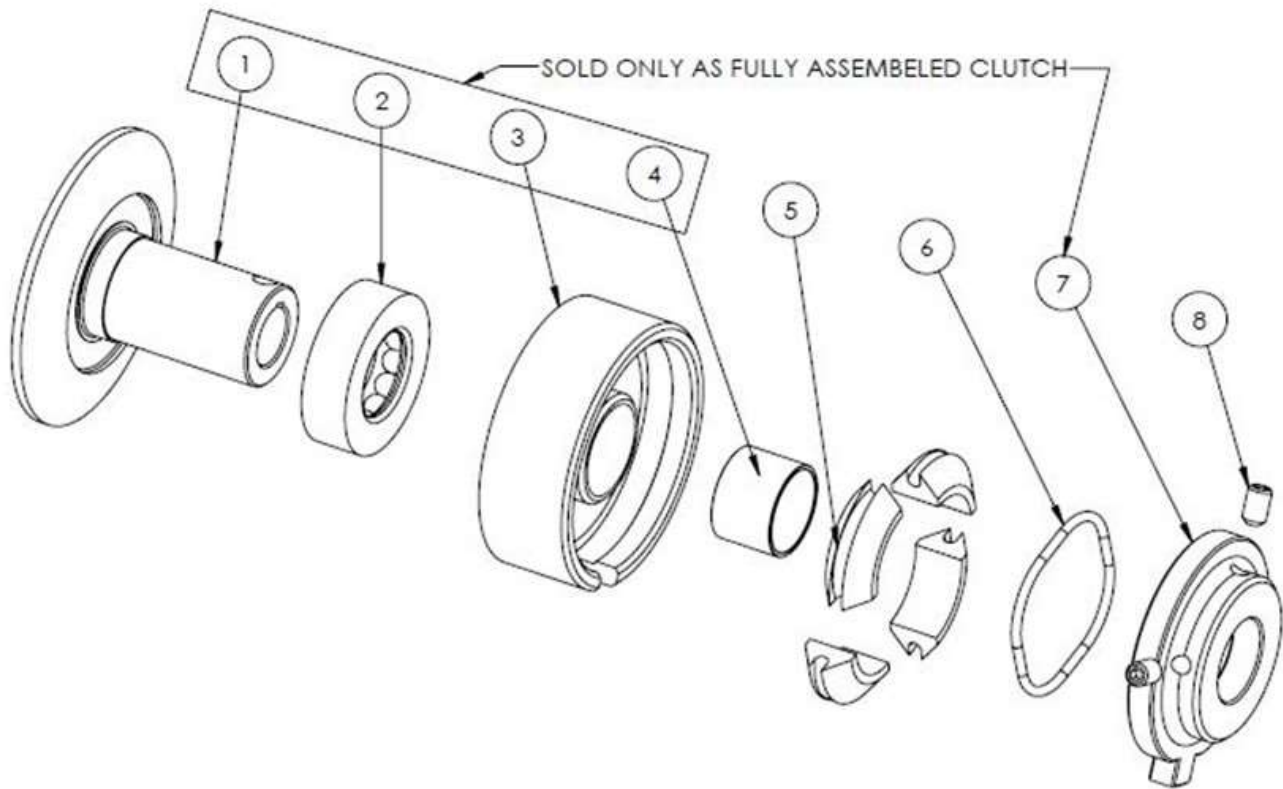
GEARBOX ASSEMBLY: 20921, 20943 - PARTS LIST 3

Item #	Part #	Description	QTY	Remarks
1	10227	SM O-RING	2	09/27/2007
2	10916	FHCS, 1/4"-20NC X 3/4" LG, PLAIN	8	09/27/2007
3	10931	O RING, No. 213	1	09/27/2007
4	10279 10242	SMALL WORMSHAFT, RH (FOR 20921) SLOW DRIVE WORMSHAFT, RH (FOR 20943)	1	09/27/2007
5	10911	PLUG 3/8 NPT	2	09/27/2007
6	10677	OIL SEAL, 1-1/16" ID x 1.628" OD x 5/16 THICK	1	09/27/2007
7	10224	BEARING, RADIAL BALL, 6203U	1	09/27/2007
8	10213	SHCS, 1/4"-20NC X 3/4" LG, GRADE 5, ZP	8	09/27/2007
9	10921	SMALL GEARBOX, HOUSING	1	09/27/2007
10	10226	SMALL END CAP	1	09/27/2007
11	10909	RELIEF VALVE	1	09/27/2007
12	10678	OIL SEAL, .75" ID x 1.254" OD x 3/8 THICK	1	09/27/2007
13	10917	GEARBOX COVER, SMALL	1	09/27/2007
14	10220	BEARING CONE	1	09/27/2007
15	10217	GEARBOX FLANGE, SMALL	1	09/27/2007
16	10219	BEARING CUP	1	09/27/2007
17	10618	MAIN SHAFT	1	09/27/2007
18	10930	SIGHT PLUG	1	09/27/2007
19	10216	SM GASKET .010 THICK	2	09/27/2007
20	10601	FHSCS, LH, 3/8"-16UNC x 1" LG, GR. 5	1	09/27/2007
21	10613	PRESSURE WASHER	1	09/27/2007
22	10614	BEARING 4T-30305	1	09/27/2007
23	10615	WOODRUFF KEY 8630 STEEL	1	09/27/2007
24	10616 10634	SMALL BRONZE GEAR (FOR 20921) SLOW DRIVE BRONZE GEAR (FOR 20943)	1	09/27/2007
25	10617	BEARING #6205UT	1	09/27/2007
26	10637	LOCKWASHER, 3/8", COUNTERSUNK	1	09/27/2007

This Page Intentionally Left Blank

PARTS LIST 4 – WALK-BEHIND TROWELS

CLUTCH ASSEMBLY DIAGRAM: 21027-2, 21029-2

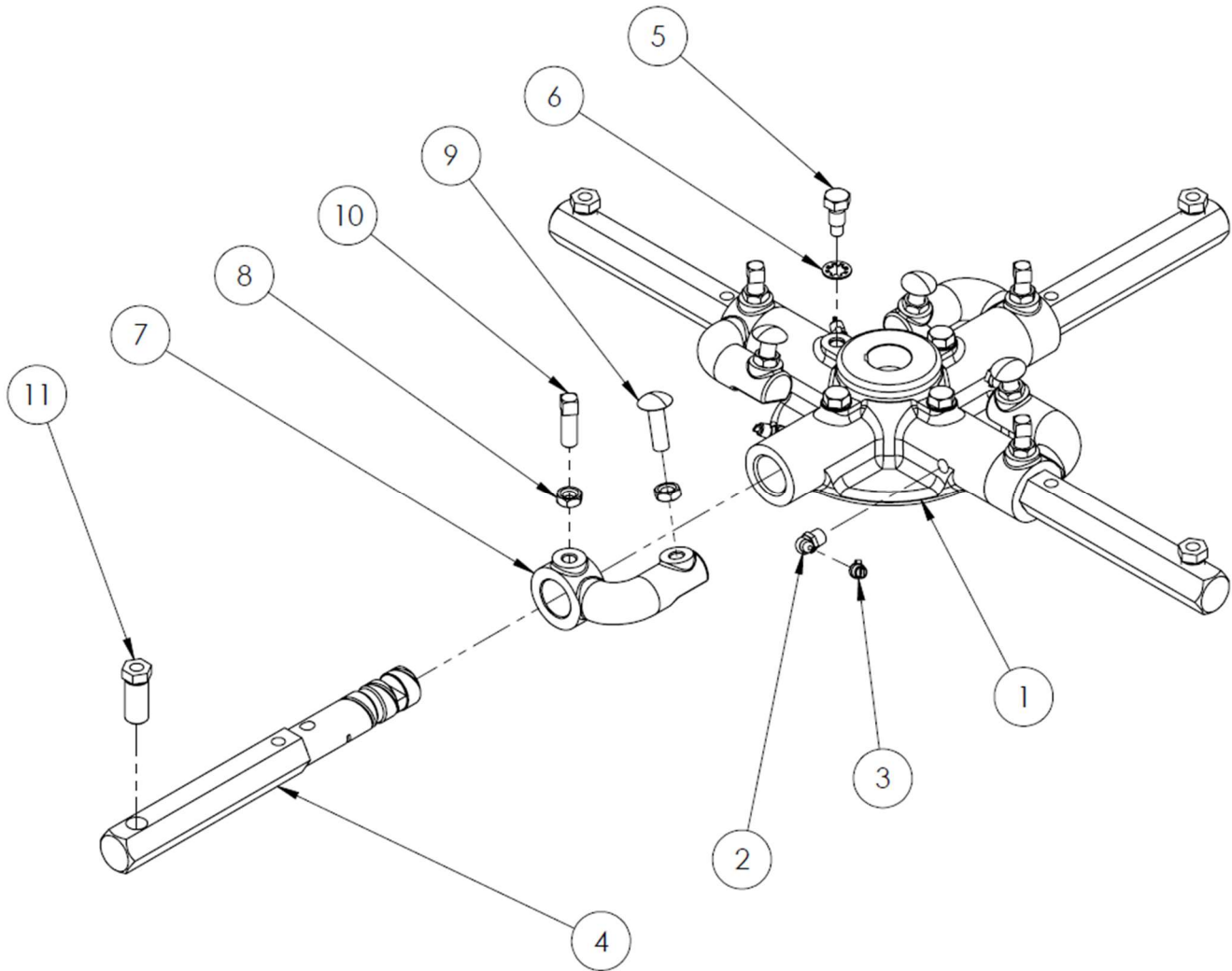


CLUTCH ASSEMBLY: 21027-2 (3/4" SHAFT), 21029-2 (1" SHAFT) – PARTS LIST 4

Item #	Part #	Description	QTY	Remarks
1	11484(3/4" SHAFT) 11045(1" SHAFT)	SPINDLE	1	8/21/2007
2	11044	BEARING	1	8/21/2007
3	21046	DRUM W/BUSHING	1	8/21/2007
4	11012	BUSHING	1	8/21/2007
5	11014	WEIGHT (SHOE)	4	8/21/2007
6	10759-2	SPRING	1	8/21/2007
7	11015	FACE PLATE	1	8/21/2007
8	50117	SET SCREW 5/16 – 18 UNC	2	8/21/2007
	14955	KIT, 4 WEIGHTS AND FACEPLATE	1	7/25/2019

PARTS LIST 5 – WALK-BEHIND TROWELS

SPIDER PLATE ASSEMBLY DIAGRAM: 20810

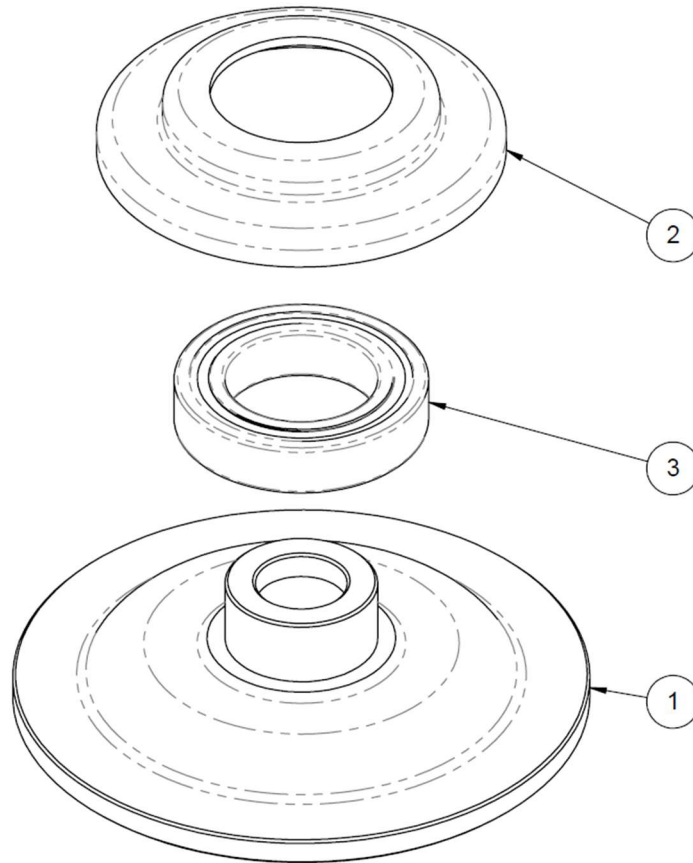


SPIDER PLATE ASSEMBLY: 20810 – PARTS LIST 5

Item #	Part #	Description	QTY	Remarks
1	10810	SPIDER PLATE (SMALL)	1	1/1/1997
2	10801	GREASE FITTING, 65 DEG, 1/8 NPT	4	1/1/1997
3	10822	CAP GREASE, NIPPLE, 1/8 ALEMITE	4	1/1/1997
4	10411	TROWEL ARM (SMALL)	4	9/5/2000
5	10806	3/8-UNC DOG POINT BOLT	4	1/1/1997
6	10805	LOCKWASHER, INT. STAR 3/8 STEEL	4	1/1/1997
7	10817	LIFT LEVER (SMALL)	4	9/12/2000
8	10808	HEX JAM NUT 3/8-16 UNC	8	1/1/1997
9	10807	CARRIAGE BOLT, 3/8-16x1 1/4"LG	4	1/1/1997
10	10809	SQ. HEAD, SET SCREW, 3/8-16 x 1" LG. STEEL	4	1/1/1997
11	10404	ADJUSTING SCREW 1-1/4"LG	4	1/1/1997

PARTS LIST 6 – WALK-BEHIND TROWELS

PRESSURE PLATE ASSEMBLY DIAGRAM: 20627

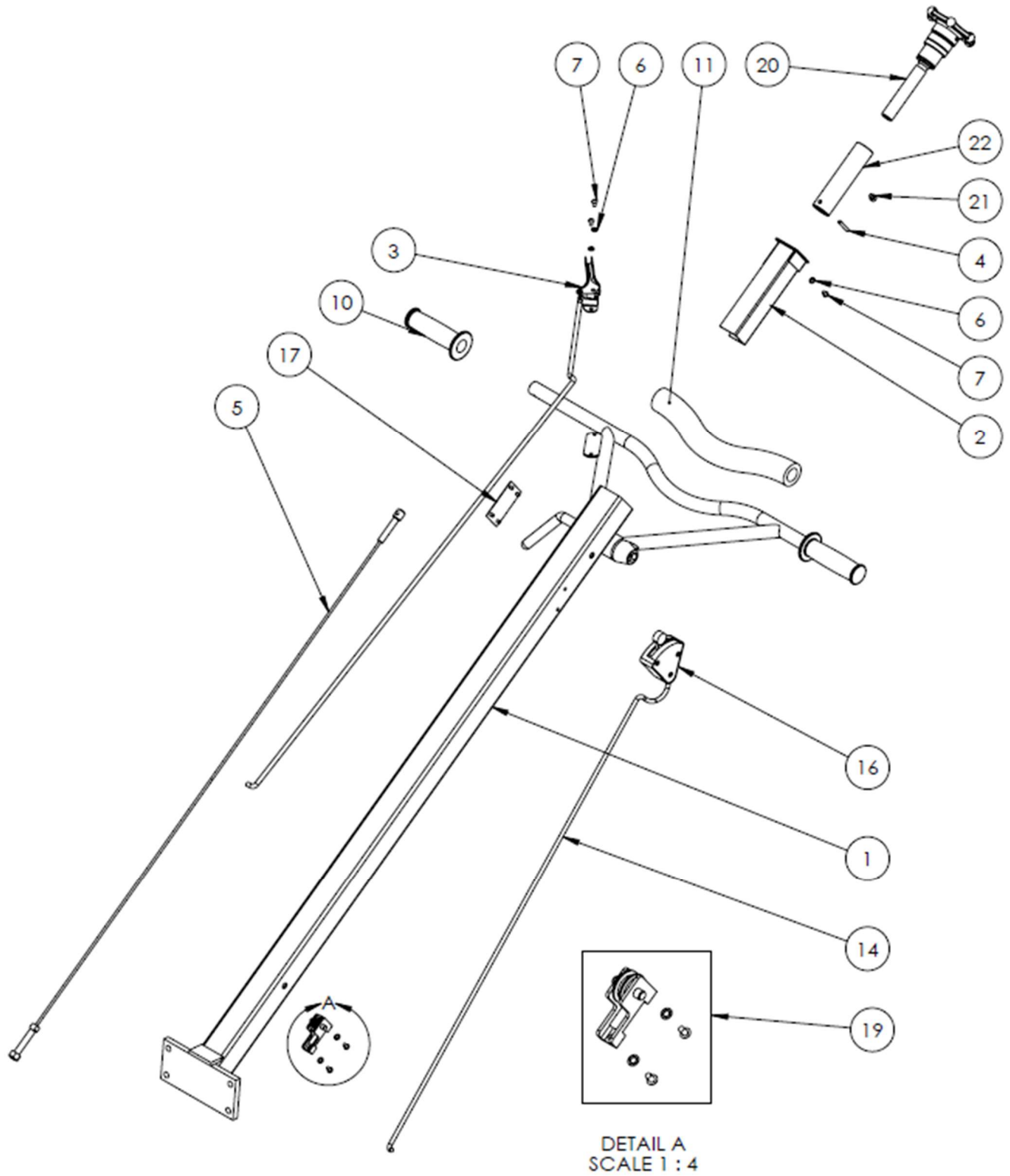


PRESSURE PLATE ASSEMBLY: 20627 – PARTS LIST 6

Item #	Part #	Description	QTY	Remarks
1	10660	PRESSURE PLATE	1	1/1/1997
2	10668	PRESSURE PLATE CAP	1	12/6/2002
3	10664	THRUST BEARING P/P	1	1/1/1997

PARTS LIST 7 – WALK-BEHIND TROWELS

HANDLE ASSEMBLY DIAGRAM: 20230C FINE PITCH

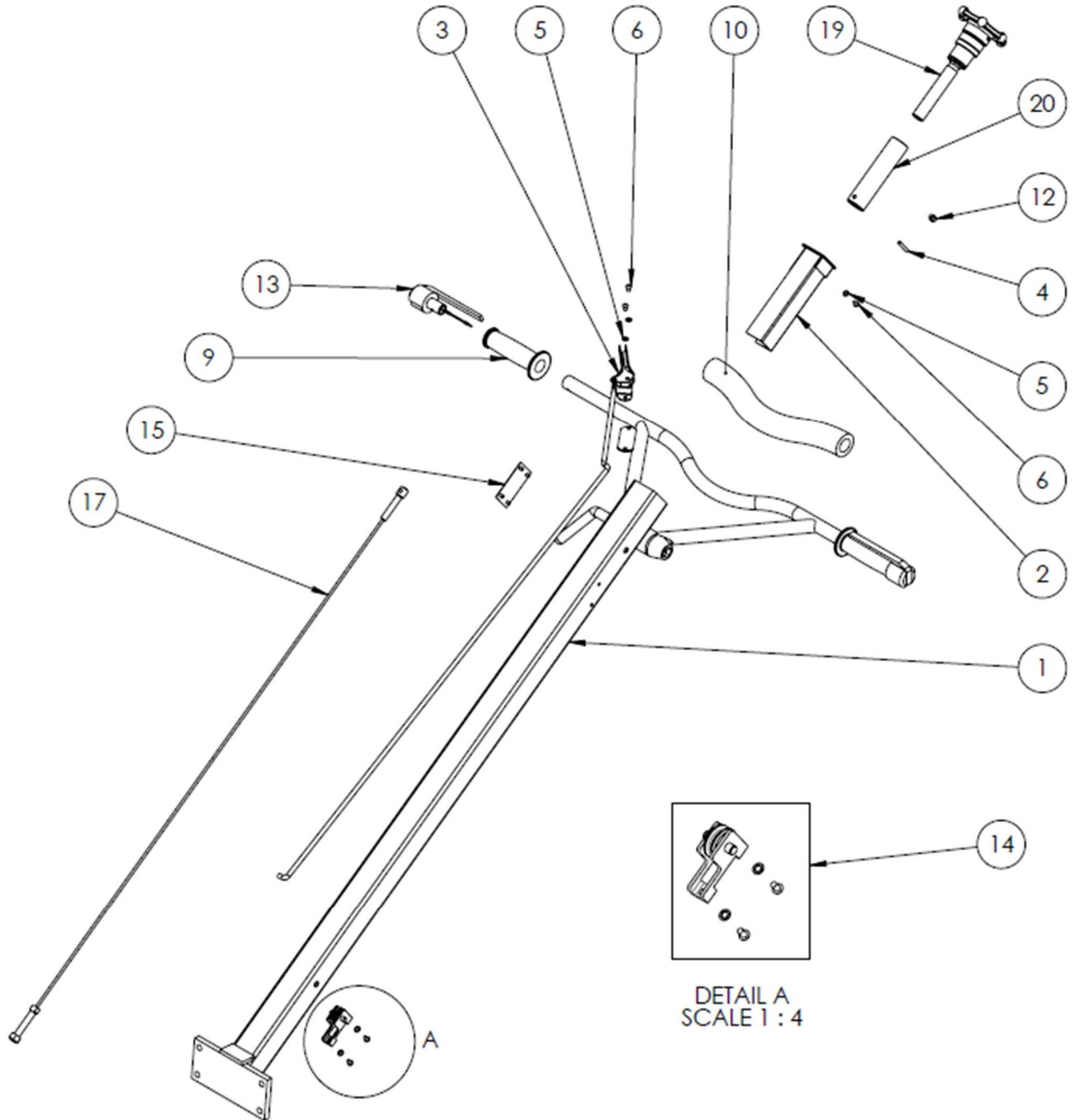


HANDLE ASSEMBLY: 20230C FINE PITCH - PARTS LIST 7

Item #	Part #	Description	QTY	Remarks
1	20230C	MEDIUM STRAIGHT HANDLE, FULLY ASSEMBLED	1	10/01/2014
2	20112	PITCH INSERT	1	10/01/2014
3	10508	THROTTLE LEVER ASSEMBLY	1	10/01/2014
4	21724	PIN 3/16"DIA X 1-1/4"LG	1	10/01/2014
5	20331	PITCH CONTROL CABLE, 43-5/16" HOLE TO END OF LUG	1	10/01/2014
6	10703	LOCK WASHER, INTERNAL TOOTH, #10	3	10/01/2014
7	21728	RHMS, M5-0.8 X 8MM LG	3	10/01/2014
10	21717	HANDLE GRIP	2	10/01/2014
11	21721	CROSSBAR PAD	1	10/01/2014
14	20702	66" WIRE ASSEMBLY	1	10/01/2014
16	21847	SAFETY SWITCH	1	10/01/2014
17	20111	COVER PLATE	1	10/01/2014
19	20288	PULLEY ASSEMBLY	1	10/01/2014
20	21714	ASSY, HAND KNOB	1	10/01/2014
21	21725	M6-1.0 X 6MM LG	1	10/01/2014
22	21722	THREADED SLIDE BUSHING	1	10/01/2014
	20781	HANDLE LOCKING PIN	1	
	10525-SQPRO	BARTELL DECAL KIT	1	

PARTS LIST 8 – WALK-BEHIND TROWELS

HANDLE ASSEMBLY DIAGRAM: 20230E EUROPEAN SPEC.

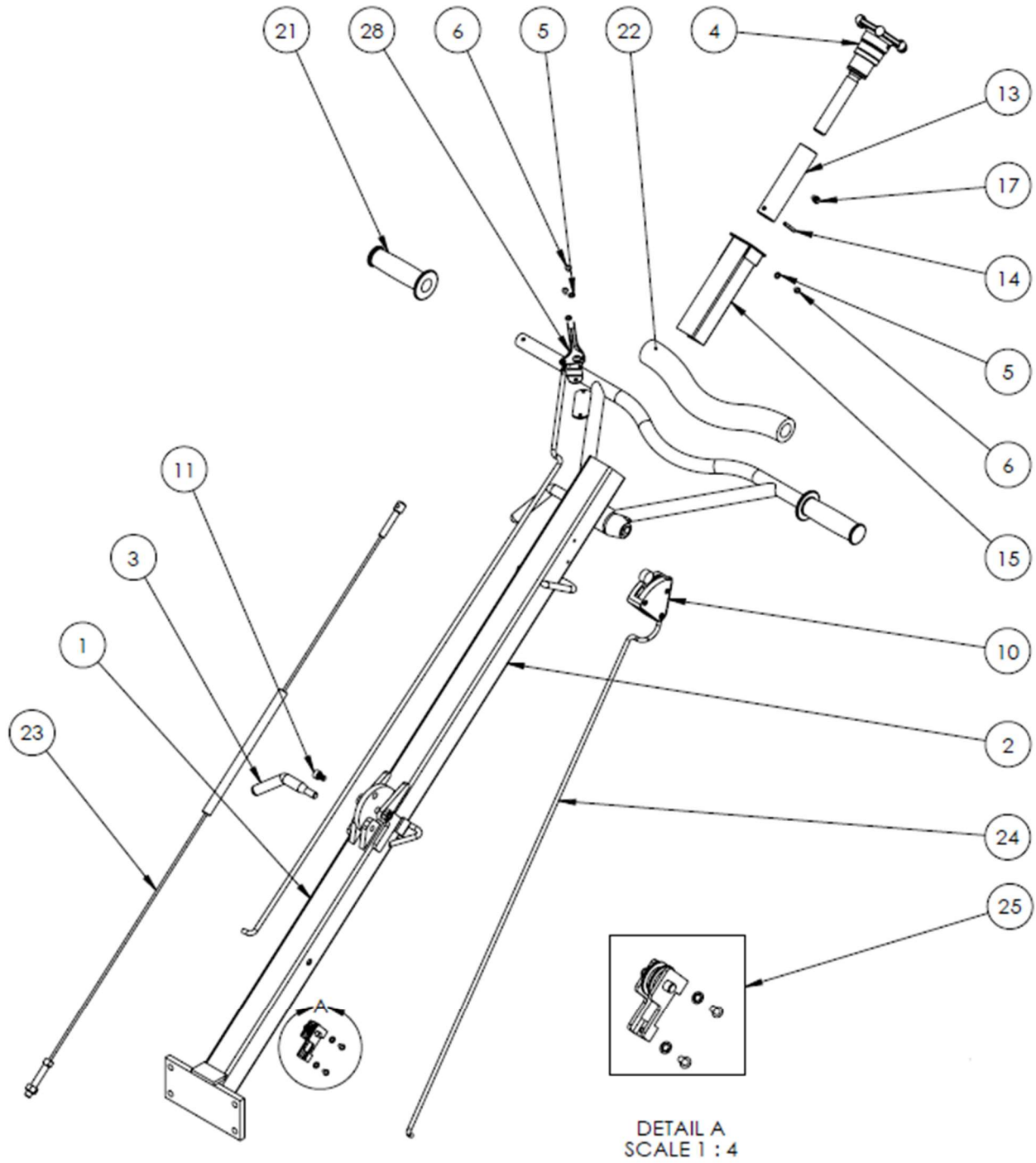


HANDLE ASSEMBLY: 20230E EUROPEAN SPEC. - PARTS LIST 8

Item #	Part #	Description	QTY	Remarks
1	20230E	MEDIUM STRAIGHT HANDLE B436	1	10/01/2014
2	20112	PITCH INSERT	1	10/01/2014
3	10508	THROTTLE LEVER ASSEMBLY	1	10/01/2014
4	21724	PIN 3/16"DIA X 1-1/4"LG	1	10/01/2014
5	10703	LOCK WASHER, INTERNAL TOOTH, #10	3	10/01/2014
6	21728	RHMS, M5-0.8 X 8MM LG	3	10/01/2014
9	21717	HANDLE GRIP	2	10/01/2014
10	21721	CROSSBAR PAD	1	10/01/2014
12	21725	M6-1.0 X 6MM LG	1	10/01/2014
13	11852	SAFETY SWITCH, PIGTAIL WIRES	2	10/01/2014
14	20288	PULLEY ASSEMBLY	1	10/01/2014
15	20113	PITCH FACEPLATE	1	10/01/2014
17	20335	PITCH CONTROL CABLE, 1331MM HOLE TO END OF LUG	1	10/01/2014
19	21714	HAND KNOB ASSEMBLY	1	10/01/2014
20	21722	THREADED SLIDE BUSHING	1	10/01/2014
		EURO WIRE ASSEMBLY	1	10/01/2014
	10525-SQPRO	BARTELL DECAL KIT	1	

PARTS LIST 9 – WALK-BEHIND TROWELS

FOLDING HANDLE ASSEMBLY DIAGRAM: 20229C

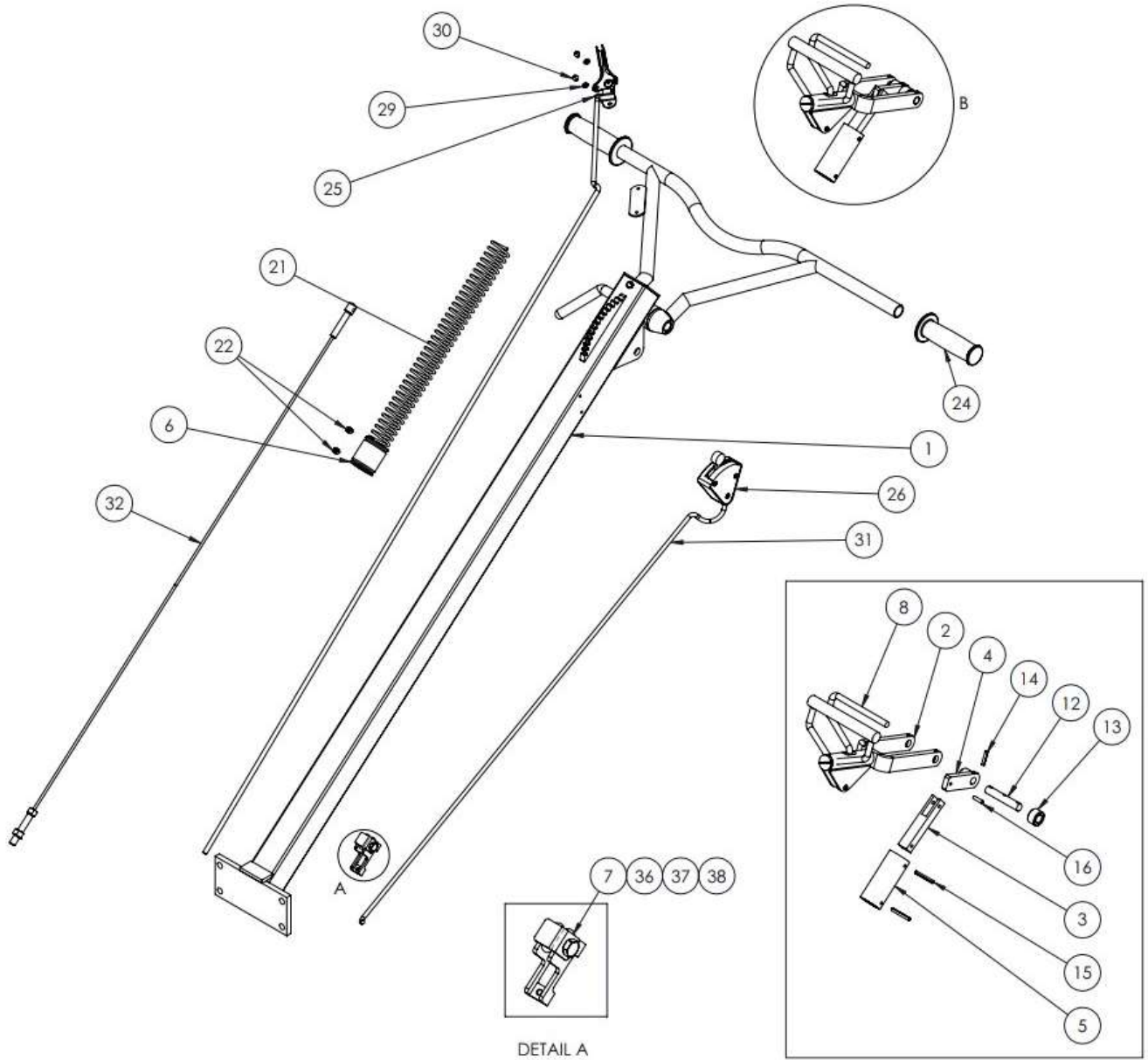


FOLDING HANDLE ASSEMBLY: 20229C – PARTS LIST 9

Item #	Part #	Description	QTY	Remarks
2	20229	FOLDING HANDLE, EURO	1	1/21/2015
3	20195	THREADED PIN	1	1/21/2015
4	21714	HAND KNOB ASSEMBLY	1	1/21/2015
5	10703	LOCK WASHER, INTERNAL TOOTH, #10	5	1/21/2015
6	21728	RHMS, M5-0.8x8MM LG	5	1/21/2015
10	21847	SAFETY SWITCH	1	1/21/2015
11	51010	SHCS, M8-1.25X12MM LG	2	1/21/2015
13	21722	THREADED SLIDE BUSHING	1	1/21/2015
14	21724	PIN 3/16" DIA x1-1/4" LG	1	1/21/2015
15	20112	PITCH INSERT	1	1/21/2015
17	21725	M6-1.0 x 6MM LG	1	1/21/2015
21	21717	HANDLE GRIP	2	1/21/2015
22	21721	CROSSBAR PAD	1	1/21/2015
23	20331	PITCH CONTROL CABLE, 43-5/16" HOLE TO END OF LUG	1	1/21/2015
24	20703	66" WIRE ASSY	1	1/21/2015
25	20287	PULLEY ASSEMBLY	1	1/21/2015
28	10508	THROTTLE LEVER ASSEMBLY	1	1/21/2015
	10525-SQPRO	BARTELL DECAL KIT	1	

PARTS LIST 10 – WALK-BEHIND TROWELS

PRO PITCH HANDLE ASSEMBLY DIAGRAM: 20730

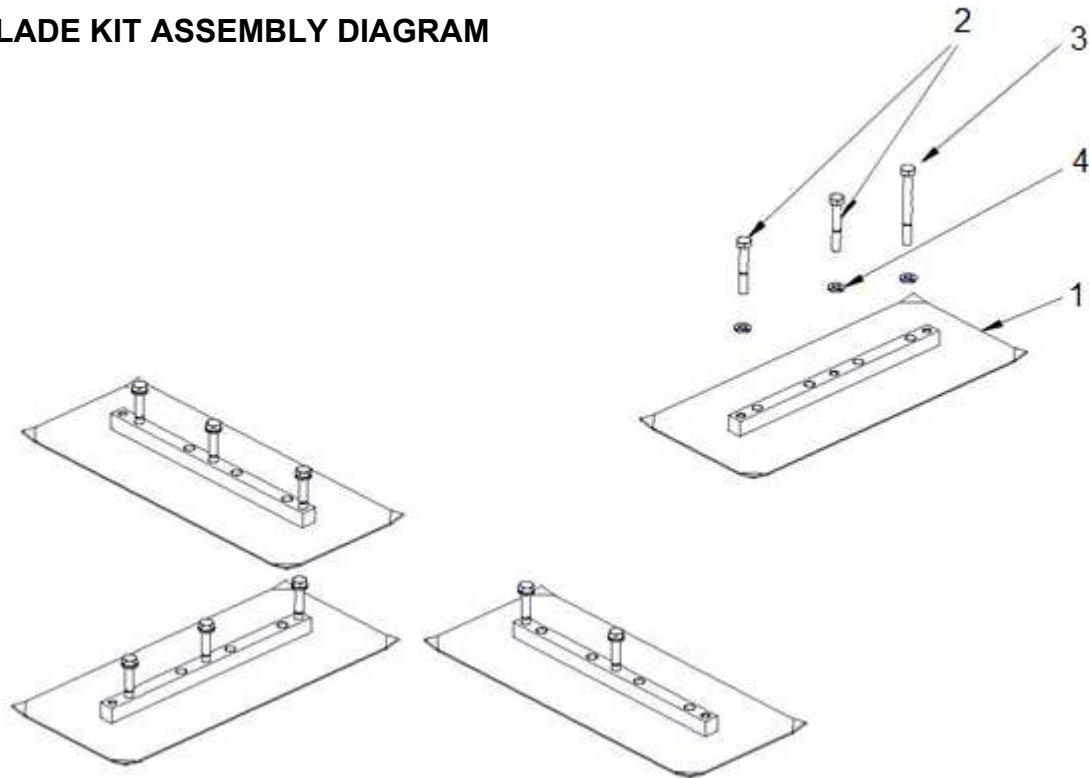


PRO PITCH HANDLE ASSEMBLY: 20730 – PARTS LIST 10

Item #	Part #	Description	QTY	Remarks
1	20360	PRO PITCH HANDLE ASSM, COMPLETE	1	
2	23250	PRO PITCH LEVER ASSM	1	
3	23256	CONNECTING ROD 1	1	
4	23255	CONNECTING ROD 2	1	
5	23257	ALUMINUM BUSHING	1	
6	23258	SPRING STOP	1	
7	20288	PULLEY ASSEMBLY	1	
8	23251	LEVER	1	
12	23254	PIVOT PIN	1	
13	23261	SPACER, 25x14x15	2	
14	21806	SPRING PIN, M5 X 24MM	3	
15	21994	SPRING PIN, M5 X 40MM	2	
16	21995	SPRING PIN, M5 X 20MM	1	
21	23262	SPRING	1	
22	11762	SHSS, M8-1.25x20MM LG. CONE PT.	2	
24	21717	HANDLE GRIP	2	
25	10508	THROTTLE LEVER	1	
26	21847	SAFETY SWITCH	1	
29	10703	LOCKWASHER, #10	2	
30	21728	PHMS, M5-0.8 X 8MM LG	2	
31	20703	WIRE ASSEMBLY	1	
32	20340	PITCH CONTROL CABLE, 1034MM HOLE TO END OF LUG	1	
36	20293	CABLE GUIDE	1	
37	11617	LOCKNUT, M8-1.25	1	
38	10407M	HHCS, M8-1.25x30MM LG.	1	

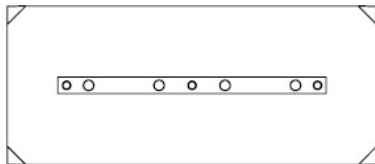
PARTS LIST 11 – WALK-BEHIND TROWELS

BLADE KIT ASSEMBLY DIAGRAM

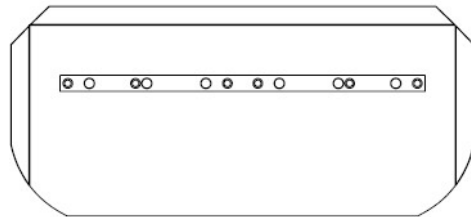


B436 BLADE KIT – PARTS LIST 11

Item #	Part #	Description	QTY	Remarks
1	-	TROWEL BLADE	4	08/04/2007
2	10452	HHCS, M8-1.25 X 40MM	8	08/04/2007
3	10453	HHCS, M8-1.25 X 50MM	4	08/04/2007
4	11614	LOCK WASHER, M8	12	08/04/2007



STANDARD FINISHING BLADE



STANDARD COMBINATION BLADE

Part #	Dimensions	Part #	Dimensions
20414	6" x 14" (15.2CM x 35.6CM)	20479	8" x 14" (20.3CM x 35.6CM)

This Page Intentionally Left Blank

CONTRACTOR PROVEN EQUIPMENT SINCE 1946



BARTELL GLOBAL

170 Traders Blvd E
Mississauga, ON L4Z 1W7
Canada

4701 Allmond Avenue
Louisville, KY 40209
United States

200 Commerce Drive
Freehold, NJ 07728
United States

Honeyholes Lane
Dunholme, Lincoln LN2 3SU
United Kingdom

