



B446, B446 MEGA-T WALK-BEHIND TROWEL

PARTS BOOK



www.BARTELLGLOBAL.com

Doc. # PB-B19004
Orig. Rel. - 08/2016
Curr Rev. - 09



www.BARTELLGLOBAL.com

Bartell Morrison Inc.
170 Traders Blvd E
Mississauga, Ontario, Canada
L4Z 1W7
Tel: (647) 953-4100
Fax: (647) 953-4101

Bartell Morrison USA LLC
200 Commerce Drive, Unit A
Freehold, NJ, USA
07728
Tel: (848) 225-8100
Fax: (848) 225-8101

SPE International Ltd
Honeyholes Lane
Dunholme, Lincoln, England
LN2 3SU
Tel: 01673 860709
Fax: 01673 861119

Innovatech
4701 Allmond Ave
Louisville, Kentucky, USA
40209
Tel: (425) 405-9100
Fax: (425) 405-9101

ORIGINAL LANGUAGE

© 2022 Bartell Morrison Inc.

No part of this work may be reproduced or transmitted in any form or by any means, electronic or mechanical, including photocopying and recording, or by any information storage or retrieval system without the prior written permission of Bartell Morrison Inc. unless such copying is permitted by federal copyright laws.

Address inquiries or reference permissions care of:
Bartell Morrison Inc., 170 Traders Blvd E., Mississauga, Ontario, Canada, L4Z 1W7

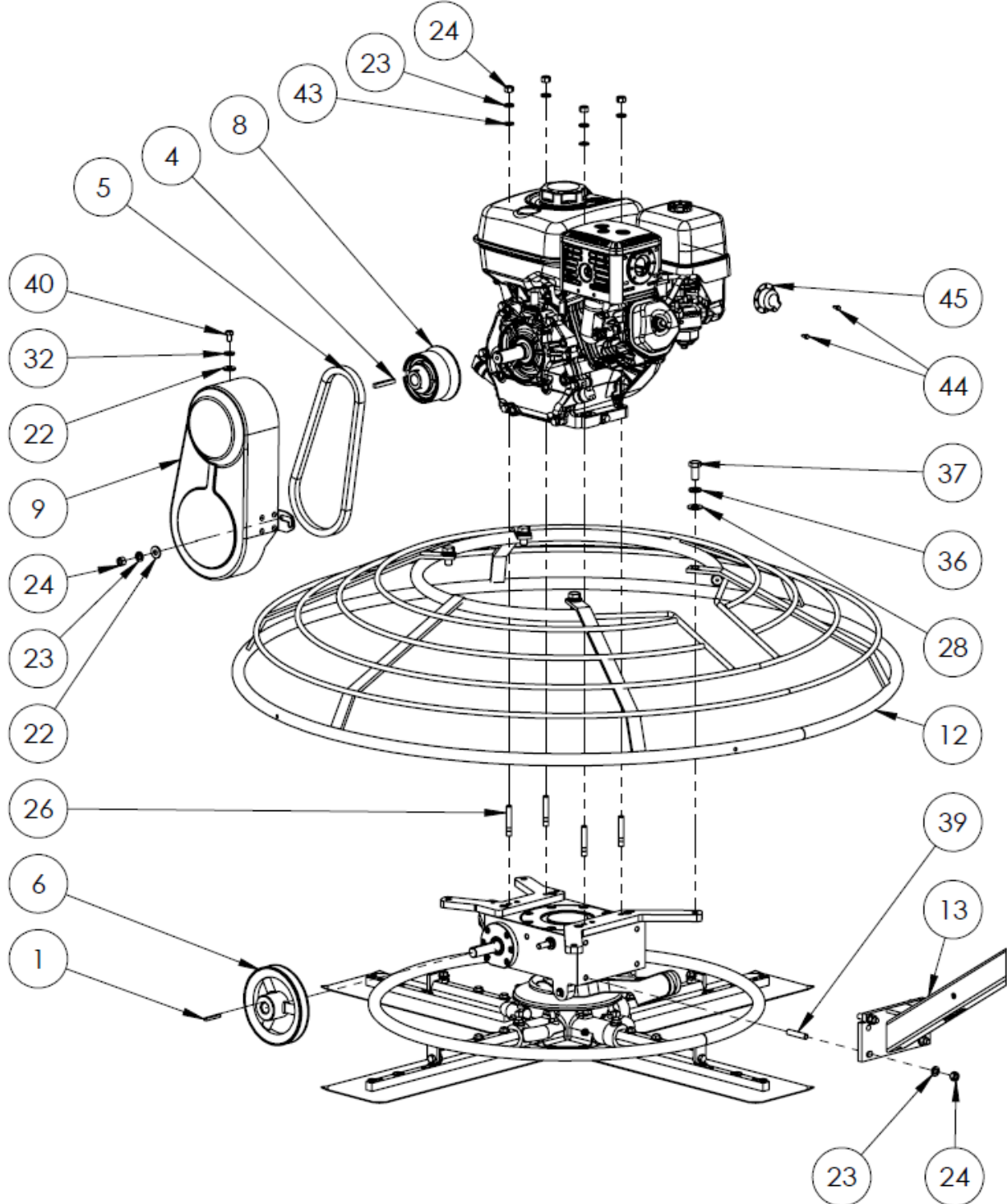
REV.	DATE	DESCRIPTION	APPROVED BY:
02	08/05/17	Rearranged the order of parts list, added 20288 – pulley assembly to handle parts lists. Address update, changed handle asm p/n	AN
03	02/18	Added decal part numbers, updated handle parts/dwg	AN
04	01/19	Updated P/N's on parts list 11	AN
05	07/19	Updated Easy Pitch P/N's	AN
06	09/19	Updated Address	AN
07	08/20	Pro Pitch Added	AN
08	12/21	Updated Mega-T Section	AN
09	04/22	Description Updates	AN

TABLE OF CONTENTS

PARTS LIST 1 – WALK-BEHIND TROWELS	2
GENERAL ASSEMBLY DIAGRAM: B446	2
GENERAL ASSEMBLY: B446 - PARTS LIST 1	3
PARTS LIST 2 – WALK-BEHIND TROWELS	4
GENERAL ASSEMBLY DIAGRAM: MEGA-T	4
GENERAL ASSEMBLY: MEGA-T (CVT) – PARTS LIST 2	5
PARTS LIST 3 – WALK-BEHIND TROWELS	6
BASE UNIT ASSEMBLY DIAGRAM: B446	6
BASE UNIT ASSEMBLY: B446 – PARTS LIST 3	7
PARTS LIST 4: WALK-BEHIND TROWELS	8
GEARBOX ASSEMBLY DIAGRAM: 20928, 20977 (MEGA-T)	8
GEARBOX ASSEMBLY: 20928, 20977 (MEGA-T) - PARTS LIST 4	9
PARTS LIST 5– WALK-BEHIND TROWELS	10
B446 CLUTCH ASSEMBLY DIAGRAM: 21029-2	10
B446 CLUTCH ASSEMBLY: 21029-2 (1" SHAFT) – PARTS LIST 5	10
PARTS LIST 6 – WALK-BEHIND TROWELS	11
SPIDER PLATE ASSEMBLY DIAGRAM: 20820	11
SPIDER PLATE ASSEMBLY: 20820 – PARTS LIST 6	11
PARTS LIST 7 – WALK-BEHIND TROWELS	12
PRESSURE PLATE ASSEMBLY DIAGRAM: 20626	12
PRESSURE PLATE ASSEMBLY: 20626 – PARTS LIST 7	12
PARTS LIST 8: WALK-BEHIND TROWELS	14
HANDLE ASSEMBLY DIAGRAM: 20231C FINE PITCH	14
HANDLE ASSEMBLY: 20231C FINE PITCH – PARTS LIST 8	15
PARTS LIST 9: WALK-BEHIND TROWELS	16
HANDLE ASSEMBLY DIAGRAM: 20231E FINE PITCH EUROPEAN SPEC.	16
HANDLE ASSEMBLY: 20231E FINE PITCH EUROPEAN SPEC. – PARTS LIST 9	17
PARTS LIST 10: WALK-BEHIND TROWELS	18
BLADE KIT ASSEMBLY DIAGRAM	18
B446 BLADES, METRIC – PARTS LIST 10	18
PARTS LIST 11: WALK-BEHIND TROWELS	19
PRO PITCH ASSEMBLY DIAGRAM: 23523	19
PRO PITCH: 23523 - PARTS LIST 11	19
PARTS LIST 12: WALK-BEHIND TROWELS	20
EASY PITCH ASSEMBLY DIAGRAM: 23514	20
EASY PITCH: 23514 - PARTS LIST 12	20
PARTS LIST 13 – WALK-BEHIND TROWELS	21
HAND KNOB ASSEMBLY DIAGRAM: 21714	21
HAND KNOB ASSEMBLY: 21714 – PARTS LIST 13	21

PARTS LIST 1 – WALK-BEHIND TROWELS

GENERAL ASSEMBLY DIAGRAM: B446

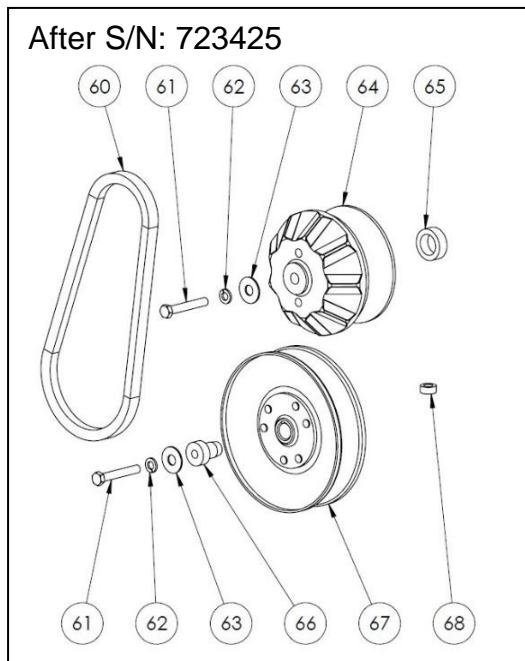
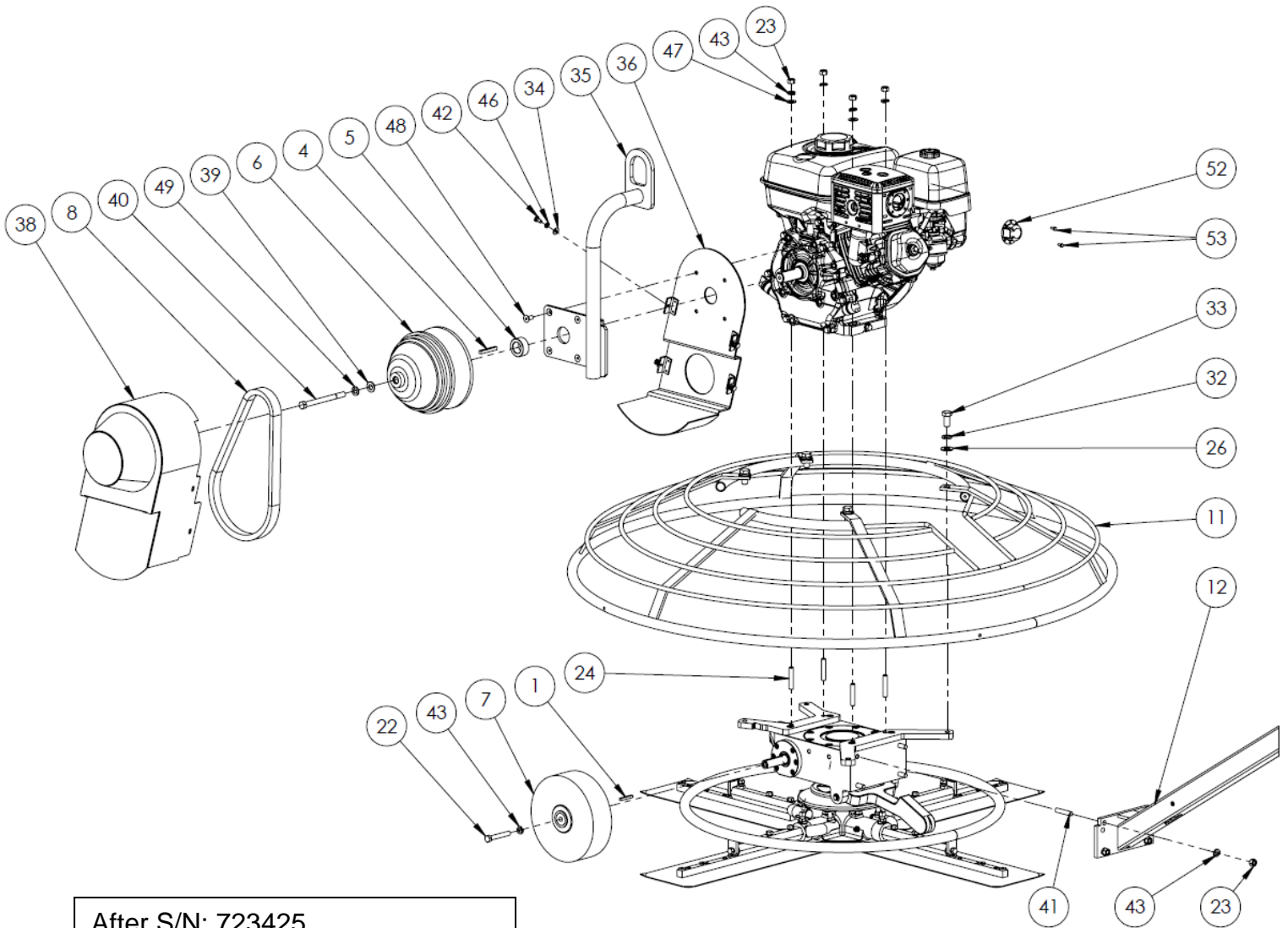


GENERAL ASSEMBLY: B446 - PARTS LIST 1

Item #	Part #	Description	QTY	Remarks
1	10208	KEY, 3/16" SQ. x 1 1/2" LG	1	6/8/2004
4	10608	KEY, 1/4" SQ. X 1-5/32" LG	1	6/8/2004
5	11178	BELT, B29	1	6/8/2004
6	14285	SHEAVE	1	6/8/2004
8	21029-2	CLUTCH, 1" BORE, 1300 RPM	1	6/8/2004
9	21067-1	BELT GUARD, LG	1	6/8/2004
12	20448	GUARD RING, CHROME	1	6/8/2004
13	20231C 20231E	HANDLE ASSEMBLY HANDLE ASSEMBLY, EUROPEAN	1	6/8/2004
22	10919	WASHER, FLAT, 5/16" DIA.	5	6/8/2004
23	10902	WASHER, LOCK, SPLIT, 3/8"	9	6/8/2004
24	10901	HEX NUT, 3/8-16	9	6/8/2004
26	14650	STUD, SELF-LOCKING, ENGINE MOUNT	4	6/8/2004
28	50026	WASHER, FLAT, 1/2" DIA.	4	6/8/2004
32	10402	WASHER, LOCK, SPLIT, 5/16"	13	6/8/2004
36	10009	WASHER, LOCK, 1/2"	4	6/8/2004
37	13781	HEX HEAD CAP SCREW, 1/2-13 X 1" LG	4	6/8/2004
39	11339	STUD, SELF-LOCKING, HANDLE MOUNT	4	6/8/2004
40	10409	HEX HEAD CAP SCREW, 5/16-18 X 1/2" LG	1	6/8/2004
44	11112	SCREW, MUFFLER CAP	1	6/8/2004
45	11115	MUFFLER CAP	2	6/8/2004
NOT SHOWN	11800	OIL DRAIN HOSE ASSEMBLY	1	6/8/2004
	01109-B446-1	DECAL KIT, B446	1	
	01109-FAM-B	ROUND BARTELL DECAL	1	

PARTS LIST 2 – WALK-BEHIND TROWELS

GENERAL ASSEMBLY DIAGRAM: MEGA-T

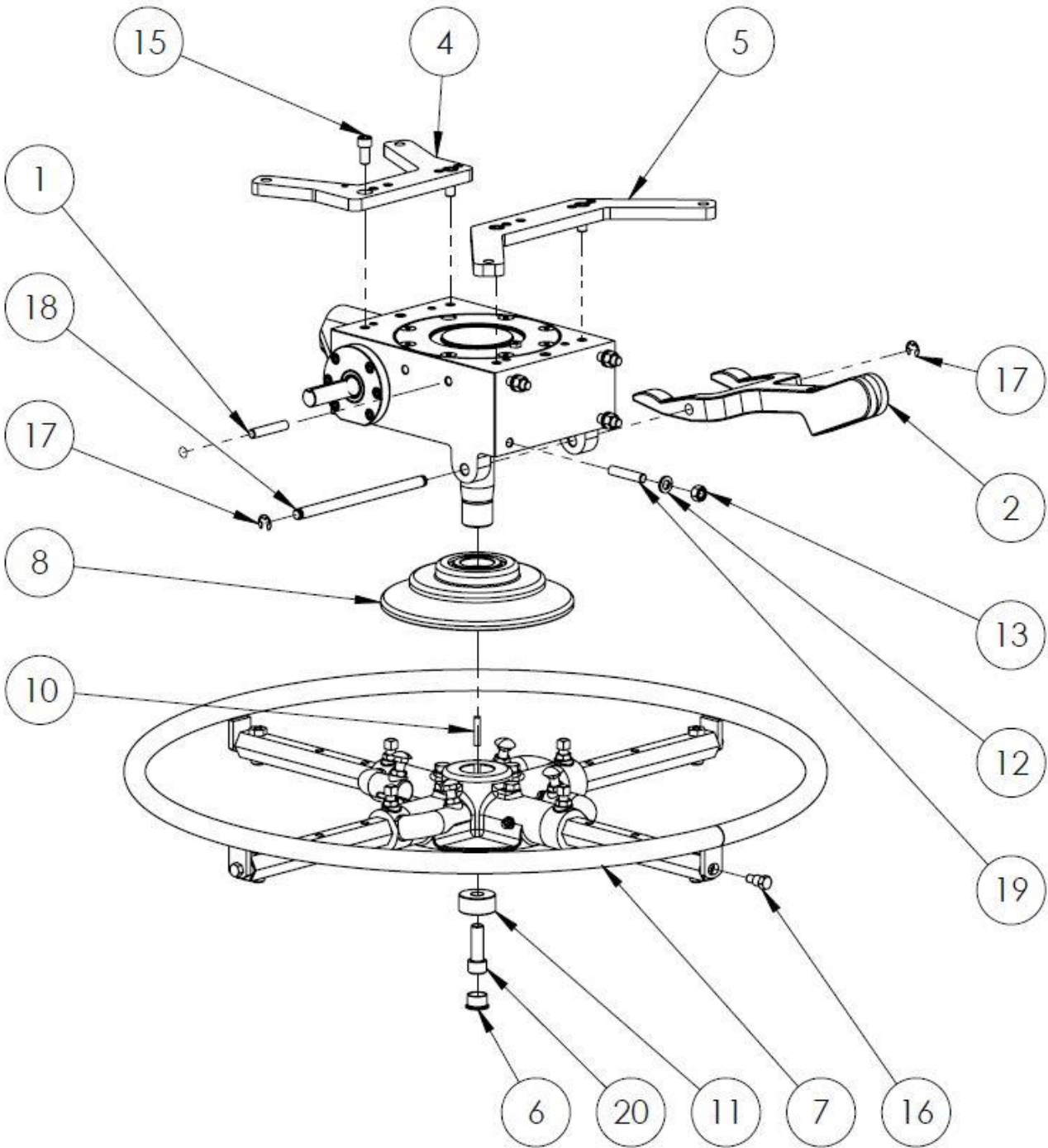


GENERAL ASSEMBLY: MEGA-T (CVT) – PARTS LIST 2

Item #	Part #	Description	QTY	Remarks
1	10208	KEY, 3/16" SQ. x 1 1/2" LG	1	6/8/2004
4	10608	KEY, 1/4" SQ. X 1-5/32" LG	1	6/8/2004
5	11535	SPACER, 1" DIA, .73" LG	1	BEFORE S/N 723425
6	14832	CVT DRIVE PULLEY, 1" BORE	1	BEFORE S/N 723425
7	14833	CVT DRIVEN PULLEY, 3/4" BORE	1	BEFORE S/N 723425
8	14834	CVT BELT	1	BEFORE S/N 723425
11	20448	GUARD RING, CHROME	1	6/8/2004
12	20231C 20231E	HANDLE ASSEMBLY EUROPEAN SPEC. HANDLE ASSEMBLY	1	6/8/2004
22	10270	HHCS 3/8-24 X 2-1/2" LG	1	BEFORE S/N 723425
23	10901	HEX NUT, 3/8-16	4	6/8/2004
24	14650	STUD, ENGINE MOUNT, 3/8-16 X 2" LG	4	6/8/2004
26	50026	WASHER, FLAT, 1/2"	4	6/8/2004
32	10009	WASHER, LOCK, 1/2"	4	6/8/2004
33	13781	HHCS 1/2-13 X 1" LG	4	6/8/2004
34	11043	WASHER, FLAT, 1/4"	4	6/8/2004
35	20194	HOIST HOOK	1	6/8/2004
36	11357	BELT GUARD REAR	1	6/8/2004
38	21085	BELT GUARD COVER	1	6/8/2004
39	12930	WASHER, FLAT, 7/16"	1	BEFORE S/N 723425
40	11894	HHCS 7/16-20 X 5" LG	1	BEFORE S/N 723425
41	11339	STUD, SELF-LOCKING, HANDLE MOUNT	4	6/8/2004
42	30031	HHCS, 1/4-20 X 1/2" LG	4	6/8/2004
43	10902	WASHER, LOCK, 3/8"	6	6/8/2004
46	10524	WASHER, LOCK, 1/4"	4	6/8/2004
47	10905	WASHER, FLAT, 3/8"	2	6/8/2004
48	30041	FHCS 5/16-24 X 3/4" LG	4	6/8/2004
49	13491	WASHER, LOCK, 7/16"	1	BEFORE S/N 723425
52	11112	MUFFLER CAP	1	6/8/2004
53	11115	SCREW, MUFFLER CAP	2	6/8/2004
	11800	OIL DRAIN HOSE ASSEMBLY	1	6/8/2004
	01109-B446MEGAT	DECAL KIT, B446 MEGA-T	1	
	01109-FAM-B	ROUND BARTELL DECAL	1	
60	15982	BELT	1	AFTER S/N 723425
61	10270	HHCS,3/8-24UNFx2 1/2"LG.	2	AFTER S/N 723425
62	10902	LOCKWASHER, 3/8"	2	AFTER S/N 723425
63	12930	WASHER, 7/16"	2	AFTER S/N 723425
64	11150	DRIVE CLUTCH 1" BORE	1	AFTER S/N 723425
65	31523	SPACER, 1"ID x 0.5"LG	1	AFTER S/N 723425
66	31524	BUSHING, 3/4"OD x 1"LG	1	AFTER S/N 723425
67	11152	DRIVEN PULLEY 3/4" BORE	1	AFTER S/N 723425
68	10104	SPACER, 5/16 (UNDER ENGINE)	4	AFTER S/N 723425

PARTS LIST 3 – WALK-BEHIND TROWELS

BASE UNIT ASSEMBLY DIAGRAM: B446

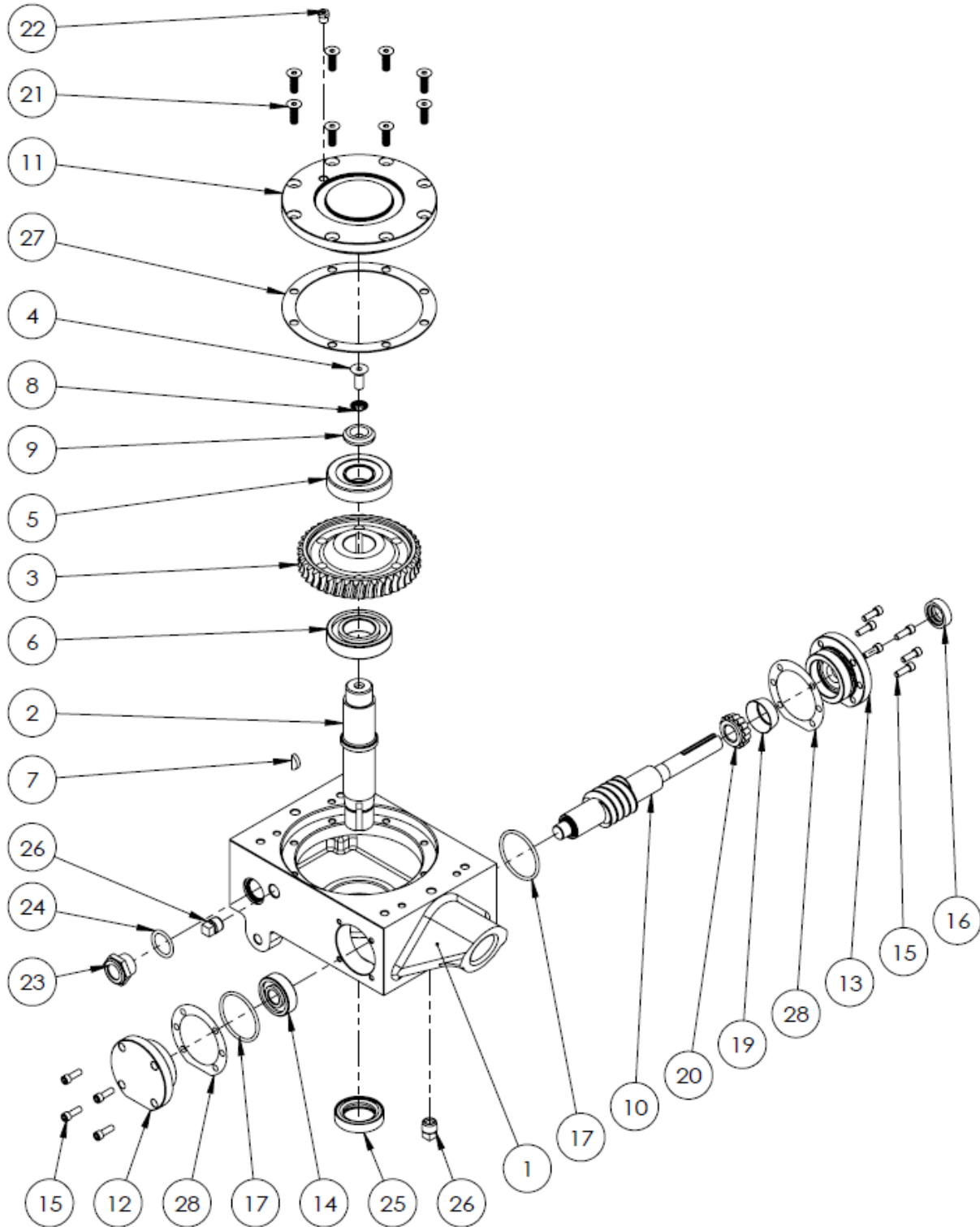


BASE UNIT ASSEMBLY: B446 – PARTS LIST 3

Item #	Part #	Description	QTY	Remarks
1	11029	STUD, 3/8-16 X 1-3/4" LG (NON-CVT ONLY)	1	
2	10311	YOKE ARM	1	
4	15346 15348	MOUNTING RAIL, FRONT MOUNTING RAIL, FRONT, MEGA-T	1	
5	15347 15349	MOUNTING RAIL, REAR MOUNTING RAIL, REAR, MEGA-T	1	
6	10823	CAP PLUG EC-12	1	
7	20442	STABILIZER RING, INNER	1	
8	20626	PRESSURE PLATE ASSEMBLY	1	
10	10608	KEY, 1/4" SQ. X 1-5/32" LG	1	
11	10804	RETAINER 33/64"	1	
12	10902	WASHER, LOCK, 3/8" DIA.	5	
13	10901	HEX NUT, 3/8"-16	4	
15	50001	SHCS 3/8-16 X 3/4" LG	4	
16	10442	HH SHOULDER BOLT 7/16" DIA	4	
17	10913	RETAINING RING	2	
18	10914	YOKE PIN	1	
19	11339	STUD, SELF-LOCKING, HANDLE MOUNT	4	
20	10802	SHCS 1/2-13 X 1-1/2" LG	1	

PARTS LIST 4: WALK-BEHIND TROWELS

GEARBOX ASSEMBLY DIAGRAM: 20928, 20977 (MEGA-T)

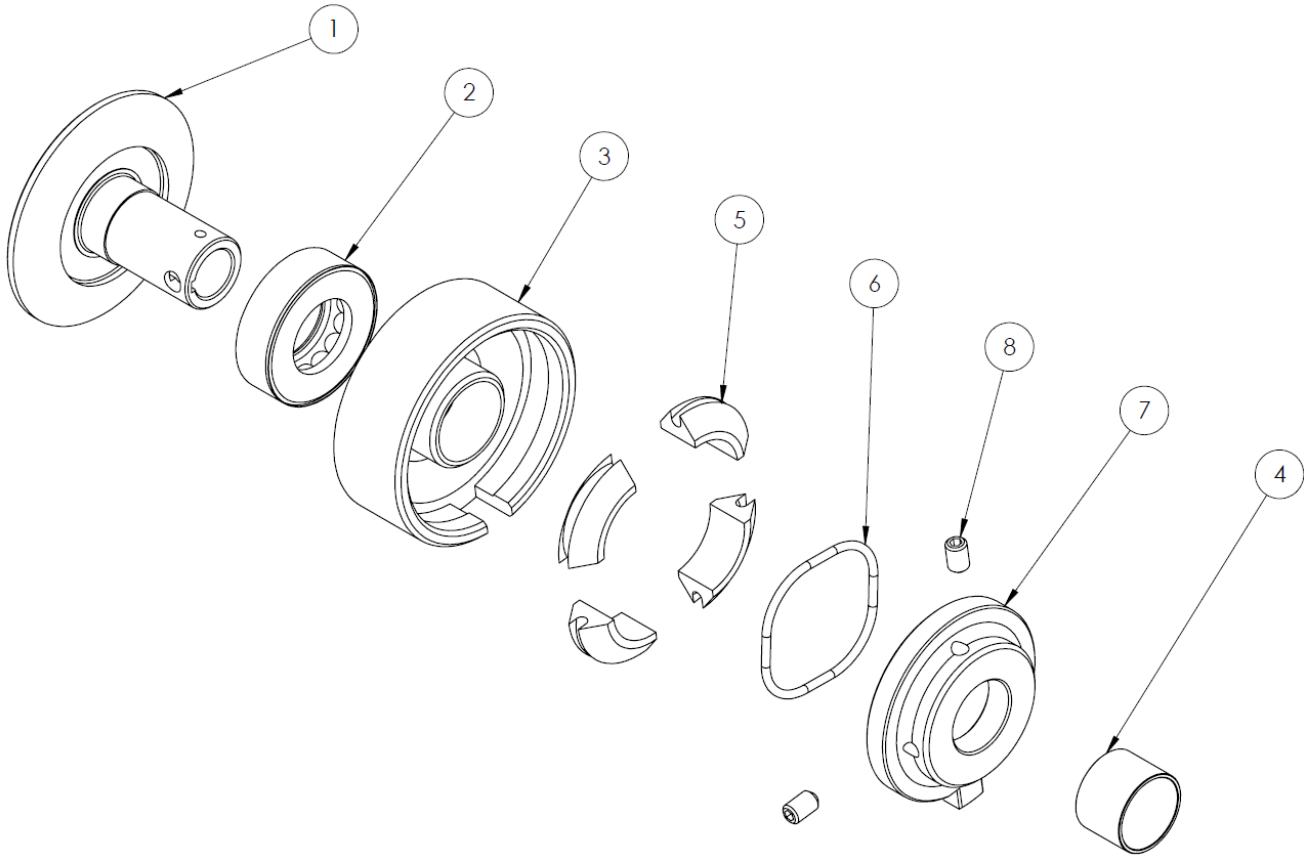


GEARBOX ASSEMBLY: 20928, 20977 (MEGA-T) - PARTS LIST 4

Item #	Part #	Description	QTY	Remarks
1	10928	GEARBOX, LARGE, MACHINED	1	09/11/2007
2	10607	MAIN SHAFT	1	09/07/2007
3	10605	LARGE BRONZE GEAR	1	09/11/2007
4	10601	FHCS, 3/8"-16UNC X 1" LG, GRADE 5	1	09/04/2007
5	10603	BEARING, TAPER	1	09/04/2007
6	14256	BEARING, SEALED BALL	1	07/28/2003
7	10609	WOODRUFF KEY 1/4" #21	1	09/04/2007
8	10637	LOCK WASHER, 3/8", C'SUNK	1	09/04/2007
9	10613	PRESSURE WASHER	1	09/04/2007
10	10280	COUNTERSHAFT SMALL (FOR 20928)	1	10/05/2007
	10281	COUNTERSHAFT LARGE (FOR 20977, MEGA-T)		
11	10929	GEARBOX COVER, LARGE	1	09/14/2007
12	10215	LARGE END CAP	1	09/04/2007
13	10231	LARGE FLANGE	1	09/10/2007
14	10203	BEARING, 6303	1	06/24/2008
15	10213	SHCS, 1/4"-20NC X 3/4" LG, GRADE 5, ZP	10	09/04/2007
16	10678	OIL SEAL	1	10/11/2014
17	10228	O RING, No. 227	2	06/24/2008
19	10230	BEARING CUP	1	06/24/2008
20	10229	BEARING CONE	1	06/24/2008
21	10903	FHCS, 5/16"-18UNC X 1" LG, GRADE 5, PLAIN	8	09/04/2007
22	10909	RELIEF VALVE	1	09/04/2007
23	10930	SIGHT PLUG	1	09/04/2007
24	10931	O RING, No. 213	1	09/04/2007
25	10610	OIL SEAL	1	09/04/2007
26	10911	DRAIN PLUG 3/8 NPT	2	09/04/2007
27	10933	LARGE SHIM 0.003"	1	09/04/2007
	10935	LARGE SHIM 0.005"		
28	10209	SHIM 0.003"	1	09/04/2007
	10212	SHIM 0.005"		
	10210	SHIM 0.010"		

PARTS LIST 5– WALK-BEHIND TROWELS

B446 CLUTCH ASSEMBLY DIAGRAM: 21029-2

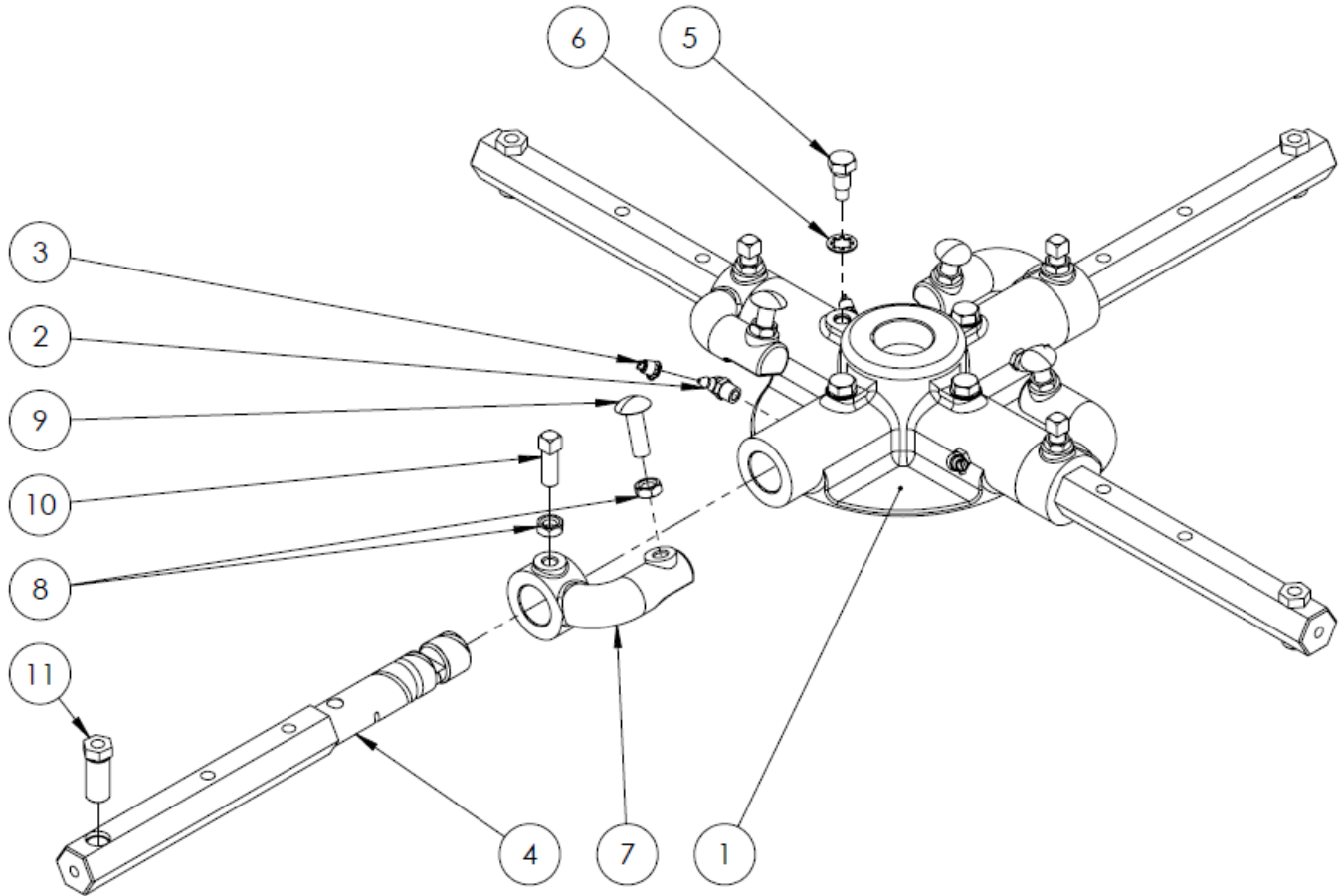


B446 CLUTCH ASSEMBLY: 21029-2 (1" SHAFT) – PARTS LIST 5

Item #	Part #	Description	QTY	Remarks
1	11045	SPINDLE	1	8/21/2007
2	11044	BEARING	1	8/21/2007
3	21046	DRUM W/BUSHING	1	8/21/2007
4	11012	BUSHING	1	8/21/2007
5	11014	WEIGHT (SHOE)	4	8/21/2007
6	10759	SPRING	1	8/21/2007
7	11015	FACE PLATE	1	8/21/2007
8	50117	SET SCREW 5/16 – 18 UNC	2	8/21/2007

PARTS LIST 6 – WALK-BEHIND TROWELS

SPIDER PLATE ASSEMBLY DIAGRAM: 20820

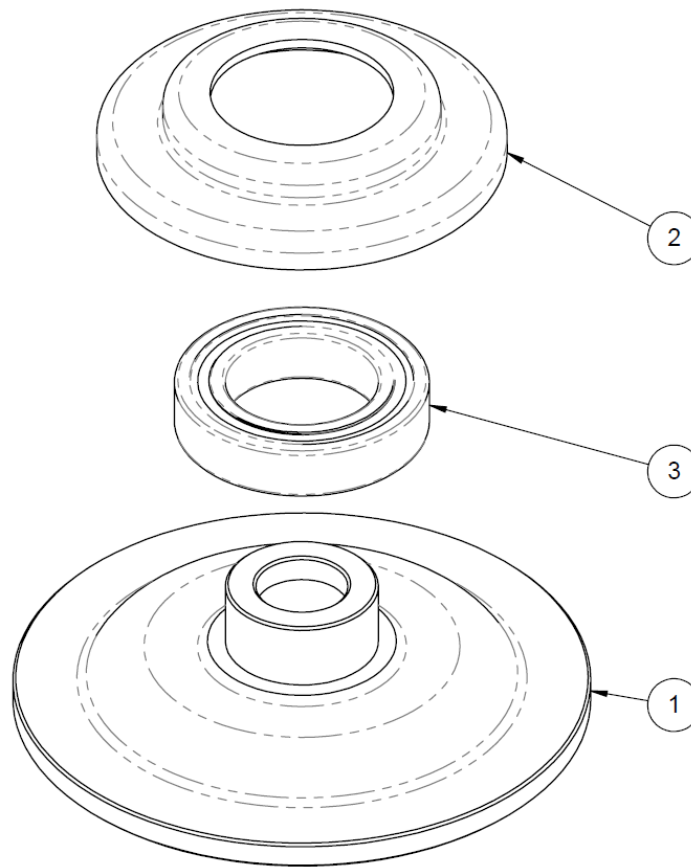


SPIDER PLATE ASSEMBLY: 20820 – PARTS LIST 6

Item #	Part #	Description	QTY	Remarks
1	10820	SPIDER PLATE LG	1	02/25/2010
2	10801	GREASE FITTING, 65 DEG, 1/8 NPT	4	02/25/2010
3	10822	CAP GREASE, NIPPLE, 1/8 ALEMITE	4	02/25/2010
4	10405	TROWEL ARM (LARGE)	4	02/25/2010
5	10806	HHCS, 3/8-16UNC X 13/16 DOG POINT BOLT	4	02/25/2010
6	10805	LOCKWASHER, 3/8, EXTERNAL TOOTH	4	02/25/2010
7	10819	LIFT LEVER (LARGE)	4	02/25/2010
8	10808	HEX JAM NUT 3/8-16 UNC	8	02/25/2010
9	10807	CARRIAGE BOLT, 3/8-16x1 1/4"LG	4	02/25/2010
10	10809	SQ. HEAD SET SCREW, 3/8-16 x 1" LG. STEEL	4	02/25/2010
11	10404	ADJUSTING SCREW 1-1/4"LG	4	02/25/2010

PARTS LIST 7 – WALK-BEHIND TROWELS

PRESSURE PLATE ASSEMBLY DIAGRAM: 20626



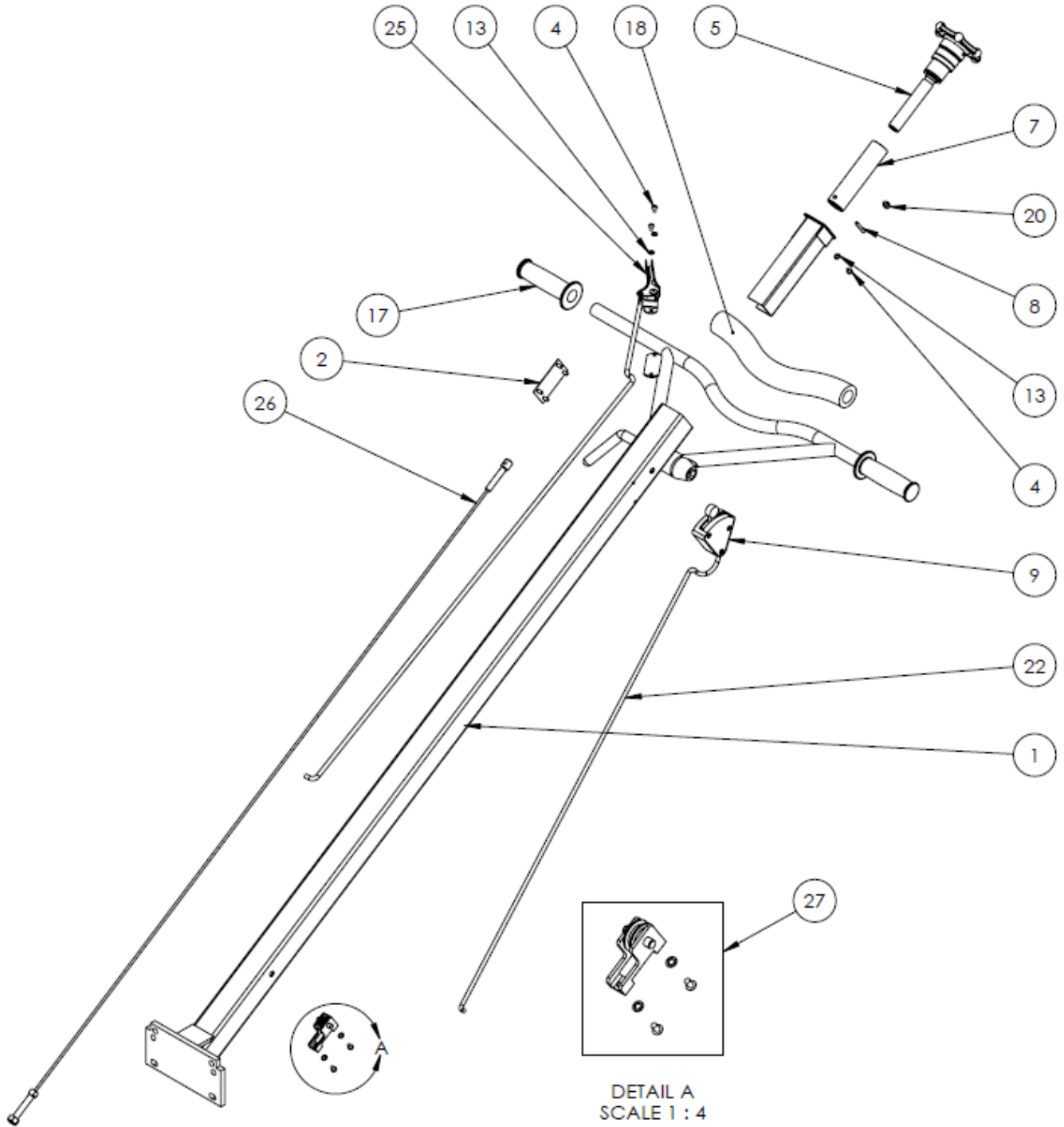
PRESSURE PLATE ASSEMBLY: 20626 – PARTS LIST 7

Item #	Part #	Description	QTY	Remarks
1	10659	PRESSURE PLATE, LARGE	1	11/16/2007
2	10667	PRESSURE PLATE CAP, LARGE	1	09/12/2007
3	10663	THRUST BEARING, LARGE	1	11/16/2007

This Page Left Intentionally Blank

PARTS LIST 8: WALK-BEHIND TROWELS

HANDLE ASSEMBLY DIAGRAM: 20231C FINE PITCH

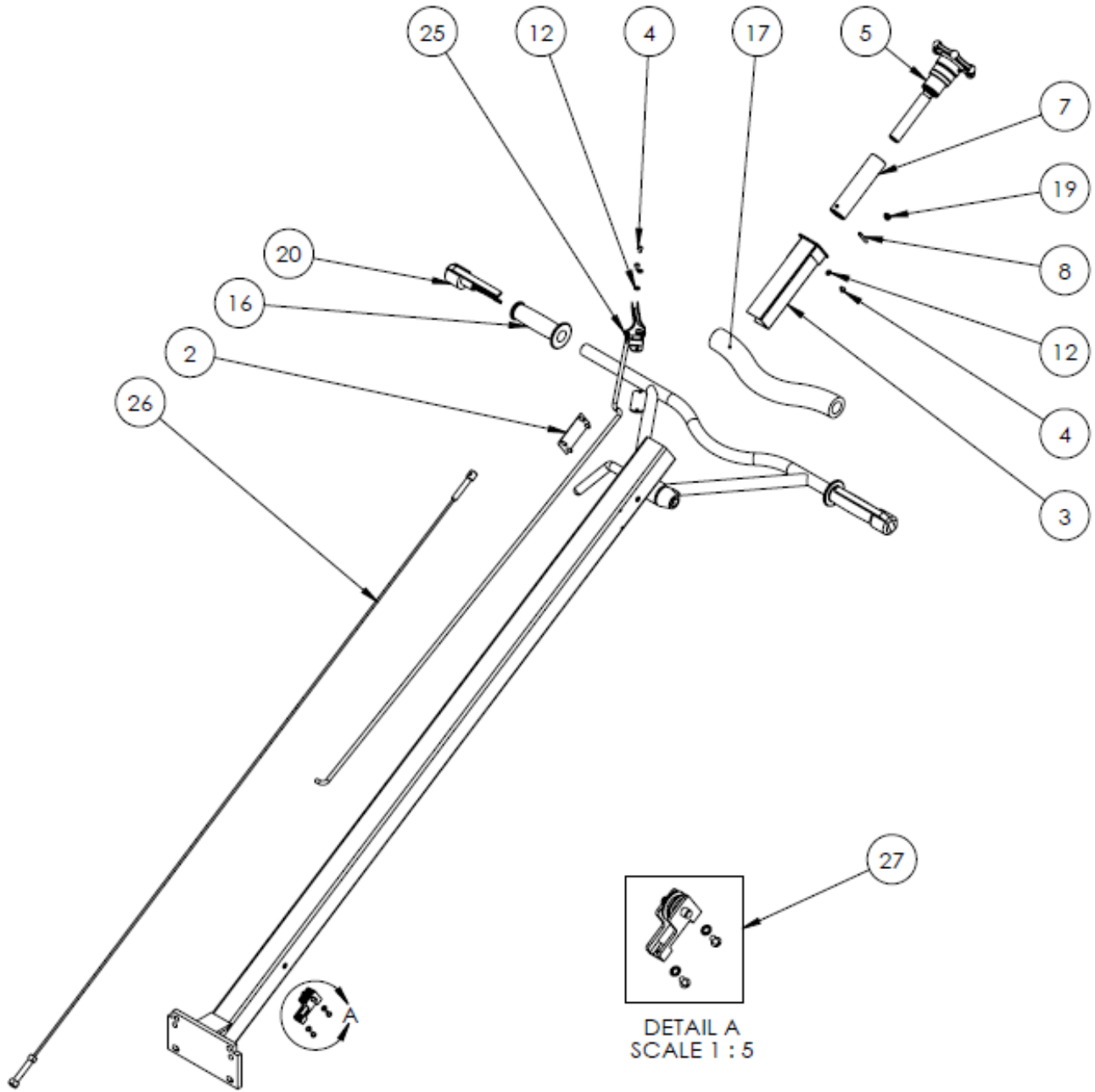


HANDLE ASSEMBLY: 20231C FINE PITCH – PARTS LIST 8

Item #	Part #	Description	QTY	Remarks
2	20113	SIDE COVER	1	
3	20112	PITCH INSERT	1	
4	21728	RHMS, M5-0.8 X 8MM LG	5	
5	21714	HAND KNOB ASSEMBLY	1	
7	21722	THREADED SLIDE BUSHING	1	
8	21724	PIN 3/16"DIA X 1-1/4"LG	1	
9	21847	SAFETY SWITCH	1	
13	10703	LOCK WASHER, INTERNAL TOOTH, #10	5	
17	21717	HANDLE GRIP	2	
18	21721	CROSSBAR PAD	1	
20	21725	M6-1.0 X 6MM LG	1	
22	20703	75" WIRE ASSEMBLY	1	
25	10508	THROTTLE LEVER ASSEMBLY, W/ CABLE	1	
26	20332	PITCH CONTROL CABLE, 54 17/32" HOLE TO END OF LUG	1	
27	20288	PULLEY ASSEMBLY	1	
	10525-SQPRO	BARTELL DECAL KIT	1	

PARTS LIST 9: WALK-BEHIND TROWELS

HANDLE ASSEMBLY DIAGRAM: 20231E FINE PITCH EUROPEAN SPEC.

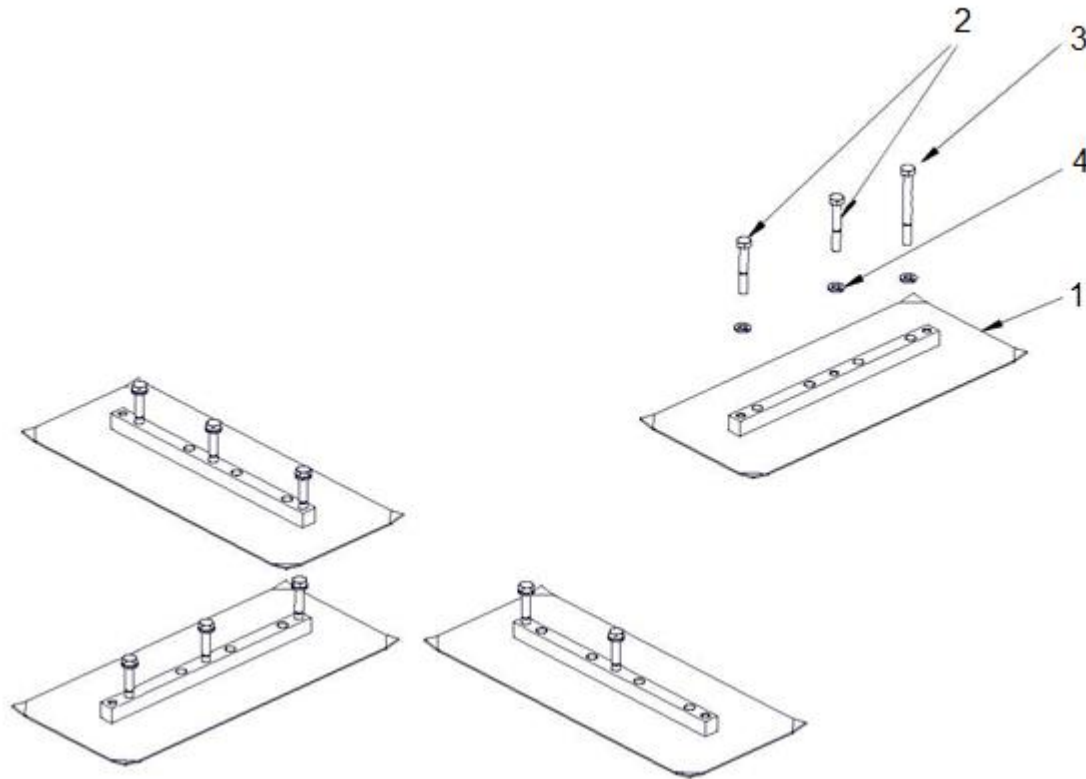


HANDLE ASSEMBLY: 20231E FINE PITCH EUROPEAN SPEC. – PARTS LIST 9

Item #	Part #	Description	QTY	Remarks
2	20113	SIDE COVER	1	
3	20112	PITCH INSERT	1	10/01/2014
4	21728	RHMS, M5-0.8 X 8MM LG	5	10/01/2014
5	21714	HAND KNOB ASSEMBLY	1	10/01/2014
7	21722	THREADED SLIDE BUSHING	1	
8	21724	PIN 3/16"DIA X 1-1/4"LG	1	10/01/2014
12	10703	LOCK WASHER, INTERNAL TOOTH, #10	5	10/01/2014
16	21717	HANDLE GRIP	2	
17	21721	CROSSBAR PAD	1	
19	21725	M6-1.0 X 6MM LG	1	10/01/2014
20	11852	SAFETY LEVER, PIGTAIL WIRES	2	10/01/2014
25	10508	THROTTLE LEVER ASSEMBLY, W/ CABLE	1	10/01/2014
26	20332	PITCH CONTROL CABLE, 54 17/32" HOLE TO END OF LUG	1	
27	20288	PULLEY ASSEMBLY	1	10/01/2014
		EURO WIRE ASSEMBLY	1	10/01/2014
	10525-SQPRO	BARTELL DECAL KIT	1	

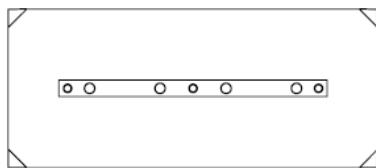
PARTS LIST 10: WALK-BEHIND TROWELS

BLADE KIT ASSEMBLY DIAGRAM

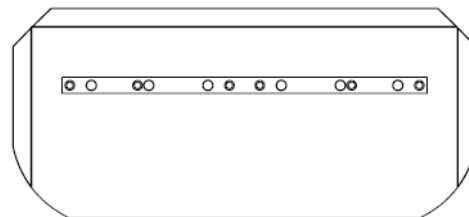


B446 BLADES, METRIC – PARTS LIST 10

Item #	Part #	Description	QTY	Remarks
1	-	TROWEL BLADE	4	08/04/2007
2	10452	HEX HD. CAP SCREW, M8-1.25 X 40MM	8	08/04/2007
3	10453	HEX HD. CAP SCREW, M8-1.25 X 50MM	4	08/04/2007
4	11614	LOCK WASHER, 5/16"	12	08/04/2007



STANDARD FINISHING BLADE

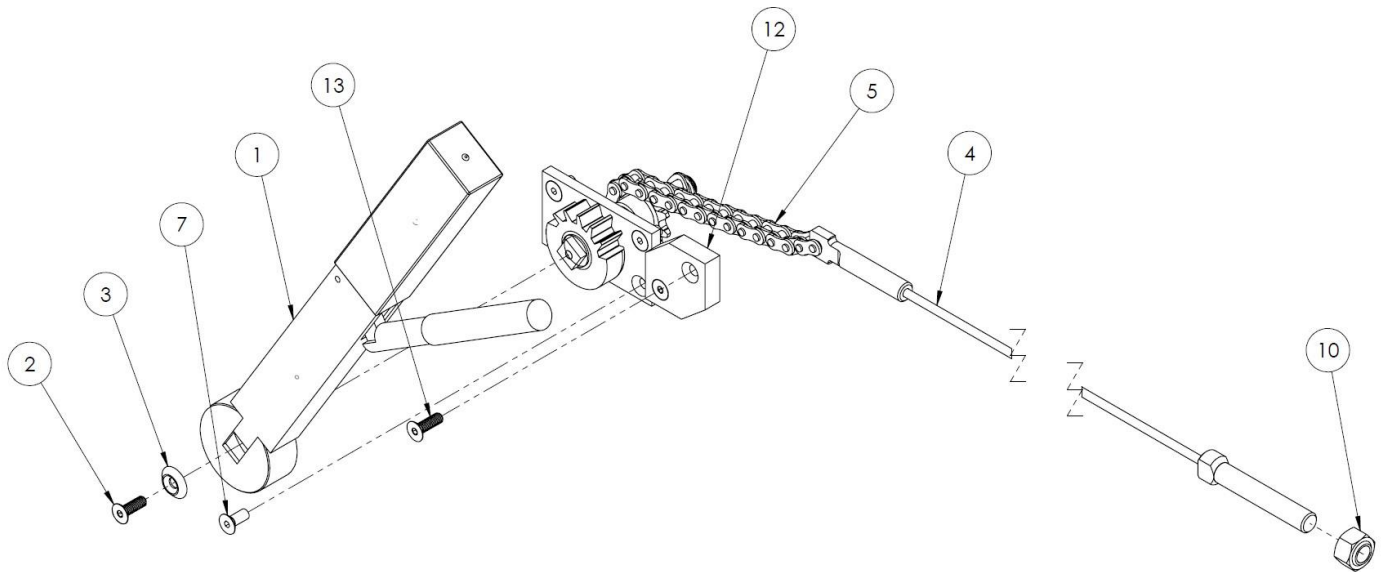


STANDARD COMBINATION BLADE

Part #	Dimensions	Part #	Dimensions
20410	6" x 18"	20480	8" x 18"

PARTS LIST 11: WALK-BEHIND TROWELS

PRO PITCH ASSEMBLY DIAGRAM: 23523



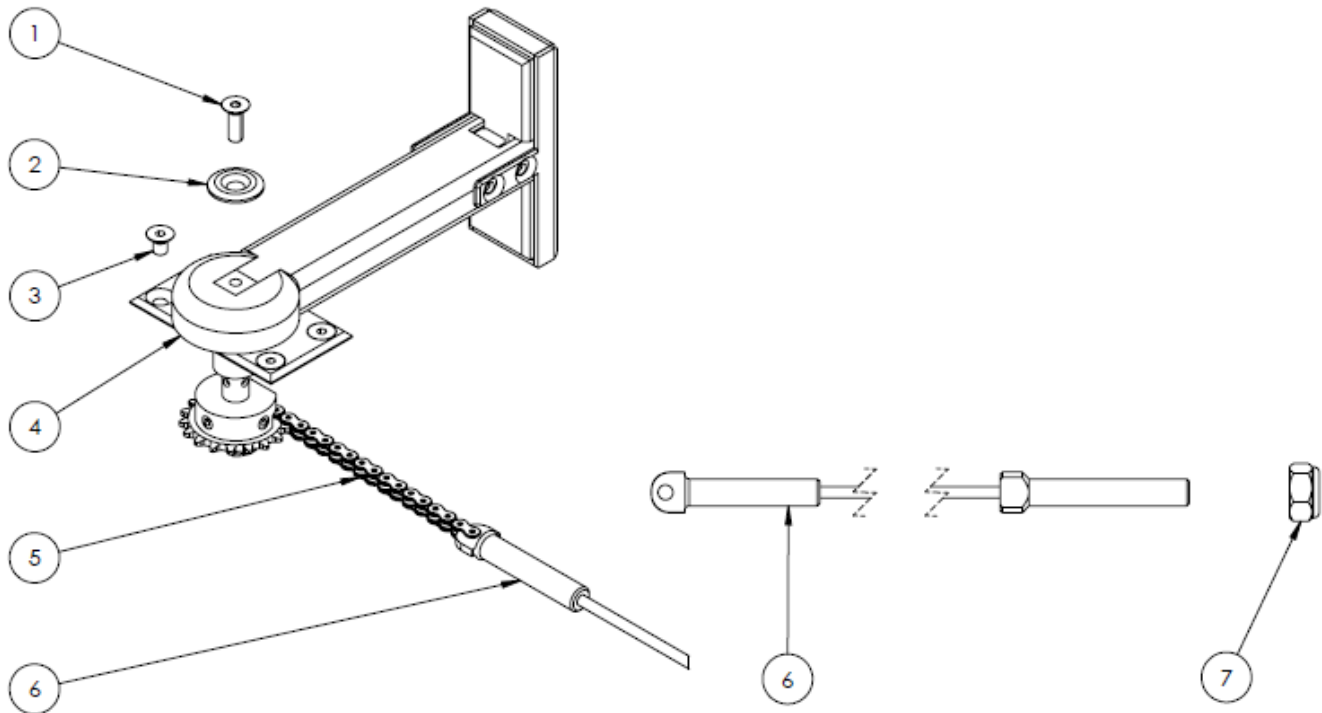
PRO PITCH: 23523 - PARTS LIST 11

Item #	Part #	Description	QTY	Remarks
	23523	COMPLETE PRO PITCH KIT	1	
1	23520	PRO PITCH LEVER	1	
2	20226	FHCS, M5-0.8 X 15MM	2	
3	20208	WASHER, M5, 3.5MM THICK	2	
4	23504	PITCH CONTROL CABLE, 1400MM HOLE TO END OF LUG	1	
5	23516	CHAIN ASSEMBLY, #35, 17 LINKS	1	
7	21218	FHCS, M5-0.8 X 12 MM	4	
10	11802	LOCK NUT, M10-1.5	1	
12	23521	PRO PITCH HANDLE STOPPER	1	
13	35047	FHSCS, M5 X 16MM	1	
	23512	KIT, SPROCKET AND #35 CHAIN (17 LINKS)	1	

SOLD AS ASSEMBLY ONLY

PARTS LIST 12: WALK-BEHIND TROWELS

EASY PITCH ASSEMBLY DIAGRAM: 23514



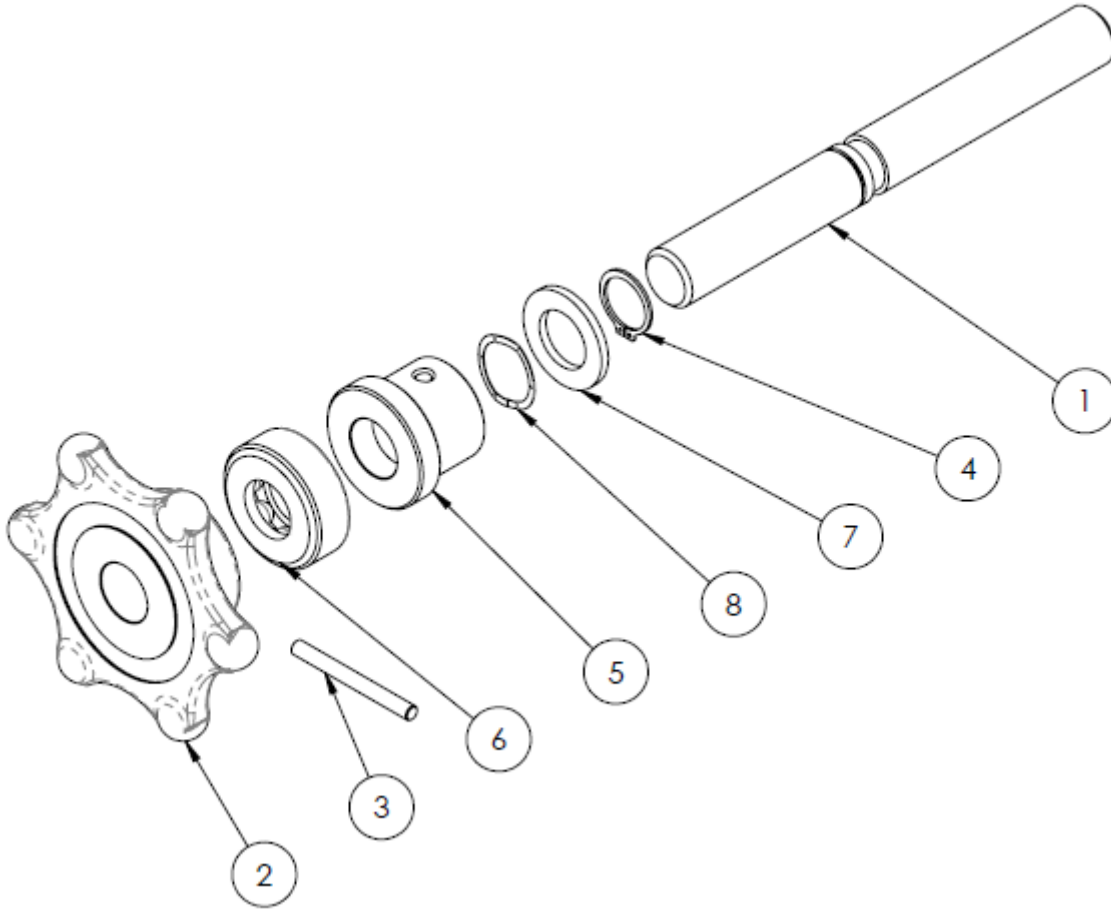
EASY PITCH: 23514 - PARTS LIST 12

Item #	Part #	Description	QTY	Remarks
1	20226	FHCS, M5-0.8 X 15MM	2	
2	20208	WASHER, M5, 3.5MM THICK	2	
3	20227	FHCS, M5-0.8 X 10 MM	4	
4	20270	HANDLE ASSEMBLY	1	
5	20209	CHAIN ASSEMBLY, #25, 29 LINKS	1	Before S/N: 712355
	23502	CHAIN ASSEMBLY, #25, 25 LINKS	1	After S/N: 712355
	23516	CHAIN ASSEMBLY, #35, 17 LINKS	1	
6	20334	PITCH CONTROL CABLE, 1385mm HOLE TO END OF LUG	1	Before S/N: 712355
	23504	PITCH CONTROL CABLE, 1400mm HOLE TO END OF LUG	1	After S/N: 712355
7	11802	LOCK NUT, M10-1.5	1	
	10525-EPITCH	EASY PITCH DECAL KIT	1	
	23512	UPGRADE KIT, SPROCKET AND #35 CHAIN (17 LINKS)	1	

SOLD AS ASSEMBLY ONLY

PARTS LIST 13 – WALK-BEHIND TROWELS

HAND KNOB ASSEMBLY DIAGRAM: 21714



HAND KNOB ASSEMBLY: 21714 – PARTS LIST 13

Item #	Part #	Description	QTY	Remarks
1	21713	SCREW SHAFT	1	1/21/2015
2	21707	KNOB	1	1/21/2015
3	21708	PIN, SPRING	1	1/21/2015
4	21712	RETAINER	1	1/21/2015
5	21710	BUSHING, HANDLE	1	1/21/2015
6	21709	BEARING, THRUST	1	1/21/2015
7	21711	WASHER	1	1/21/2015
8	21849	WASHER, WAVE	1	1/21/2015

BARTELL

BARTELL GLOBAL



Bartell Morrison Inc.
170 Traders Blvd E
Mississauga, Ontario, Canada
L4Z 1W7
Tel: 1-647-953-4100
Fax: 1-647-953-4101



Bartell Morrison (USA) LLC
200 Commerce Drive, Unit A
Freehold, New Jersey, USA
07728
Tel: 1-848-225-8100
Fax: 1-848-225-8101



Innovatech
4701 Allmond Ave
Louisville, Kentucky, USA
40209
Tel: (425) 405-9100
Fax: (425) 405-9101



SPE International
Honeyholes Lane
Dunholme, Lincoln, UK
LN2 3SU
Tel: +44 (0)1673 860709
Fax: +44 (0)1673 861119



**BARTELL
GLOBAL**

**5 BRANDS - 1 SOURCE FOR
GREAT EQUIPMENT**
BARTELL morrison   

BARTELLGLOBAL.COM