



**BARTELL
GLOBAL**

**PARTS
BOOK**

REVERSIBLE HYDRAULIC PLATE COMPACTORS

BR4600



Doc. # OI-B19024
Orig. Rel. - 10/2013
Curr Rev. - 09

www.BartellGlobal.com

CANADA

170 Traders Blvd E
Mississauga, Ontario L4Z 1W7
TEL (647) 953-4100 FAX (647) 953-4101

KENTUCKY

4701 Allmond Ave
Louisville, Kentucky 40209
TEL (425) 405-9100 FAX (425) 405-9101

UK

Honeyholes Lane
Dunholme, Lincoln, UK LN2 3SU
TEL 01673 860709 FAX 01673 861119

NEW JERSEY

200 Commerce Drive, Unit A
Freehold, New Jersey 07728
TEL (848) 225-8100 FAX (848) 225-8101

**ORIGINAL LANGUAGE OPERATING MANUAL FOR
BARTELL RIDE-ON TROWELS**

© 2022 Bartell Global Inc.

No part of this work may be reproduced or transmitted in any form or by any means, electronic or mechanical, including photocopying and recording, or by any information storage or retrieval system without the prior written permission of Bartell Morrison Inc. unless such copying is permitted by federal copyright laws.

ADDRESS INQUIRIES OR REFERENCE PERMISSIONS CARE OF:

Bartell Global, 170 Traders Blvd E., Mississauga, Ontario, Canada, L4Z 1W7

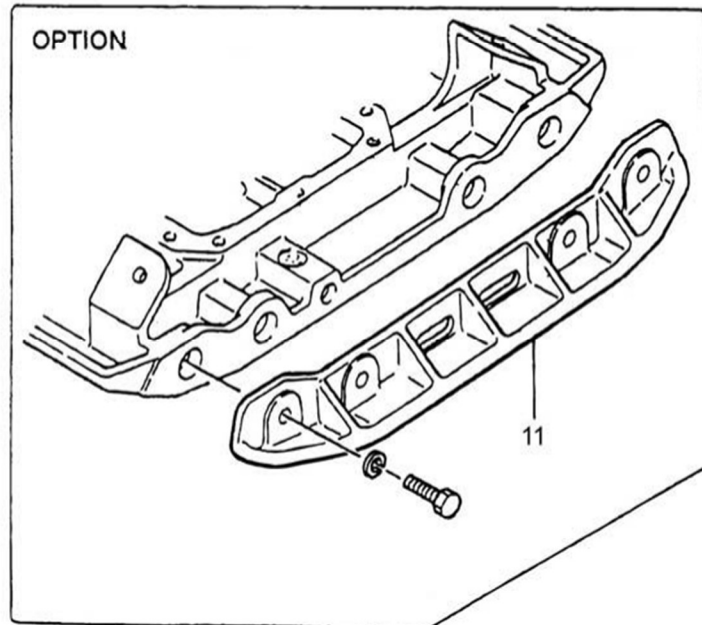
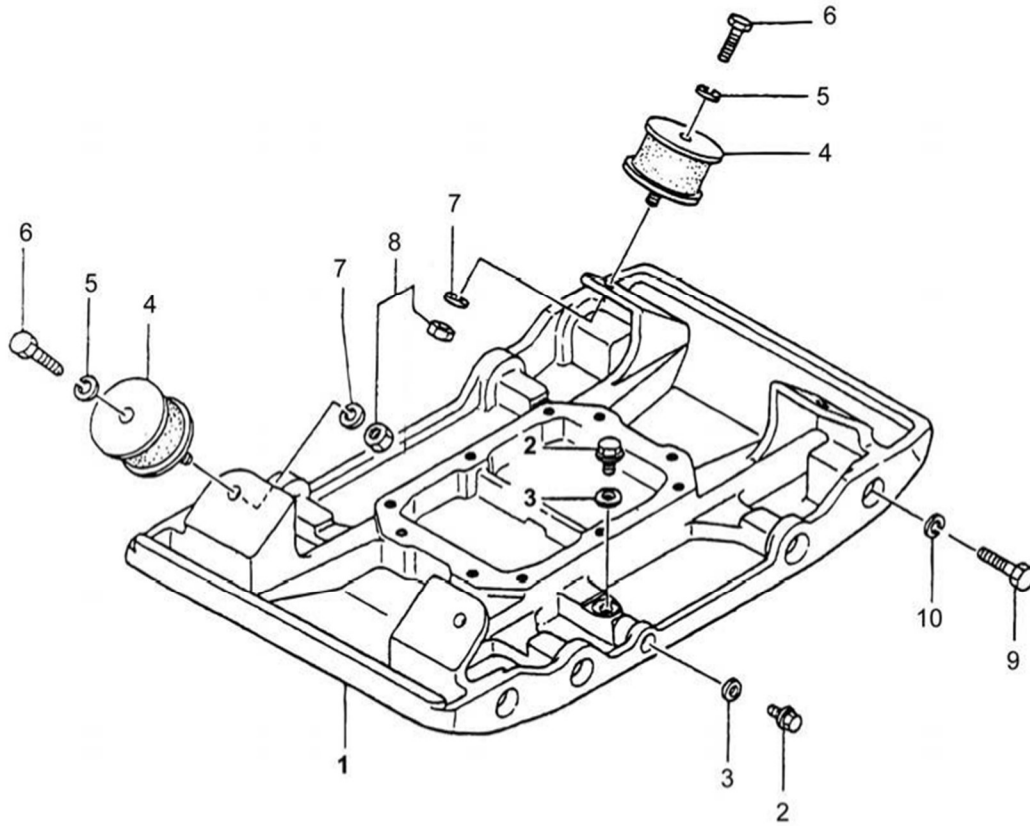
REV.	DATE	DESCRIPTION	APPROVED BY:
00	10/2013	Initial release	AL
01	01/2014	Cover photo updated	AL
02	02/2014	Part number updated	AL
03	06/2014	Address updated	AL
04	07/2014	Cover page updated	AL
05	07/2017	Address updated, Format Updated	AN
06	06/2018	Added parts list 6: Diesel electric start, Additional parts added to parts list 2 for diesel models Added sub-assembly kits to parts lists 3 and 5	AN
07	01/2020	Updated Address and Part Numbers	AN
08	06/2020	Updated Part Descriptions	AN
09	07/2023	Updated part numbers	AN

TABLE OF CONTENTS – PARTS BOOK

<u>PARTS LIST 1 – REVERSIBLE HYDRAULIC PLATE COMPACTORS</u>	3
VIBRATING PLATE	3
VIBRATING PLATE: BR4600 – PARTS LIST 1	4
<u>PARTS LIST 2 – REVERSIBLE HYDRAULIC PLATE COMPACTORS</u>	5
BODY	5
BODY: BR4600 – PARTS LIST 2	6
<u>PARTS LIST 3 – REVERSIBLE HYDRAULIC PLATE COMPACTORS</u>	7
VIBRATOR	7
VIBRATOR: BR4600 – PARTS LIST 3	8
<u>PARTS LIST 4 – REVERSIBLE HYDRAULIC PLATE COMPACTORS</u>	11
CONTROL	11
CONTROL: BR4600 – PARTS LIST 4	12
<u>PARTS LIST 5 – REVERSIBLE HYDRAULIC PLATE COMPACTORS</u>	13
HAND PUMP ASSEMBLY	13
HAND PUMP ASSEMBLY: BR4600 – PARTS LIST 5	14
<u>PARTS LIST 6-REVERSIBLE HYDRAULIC PLATE COMPACTORS</u>	15
ELECTRIC START (DIESEL MODEL ONLY)	15
ELECTRIC START (DIESEL MODEL ONLY): BR4600 – PARTS LIST 6	16

PARTS LIST 1 – REVERSIBLE HYDRAULIC PLATE COMPACTORS

VIBRATING PLATE

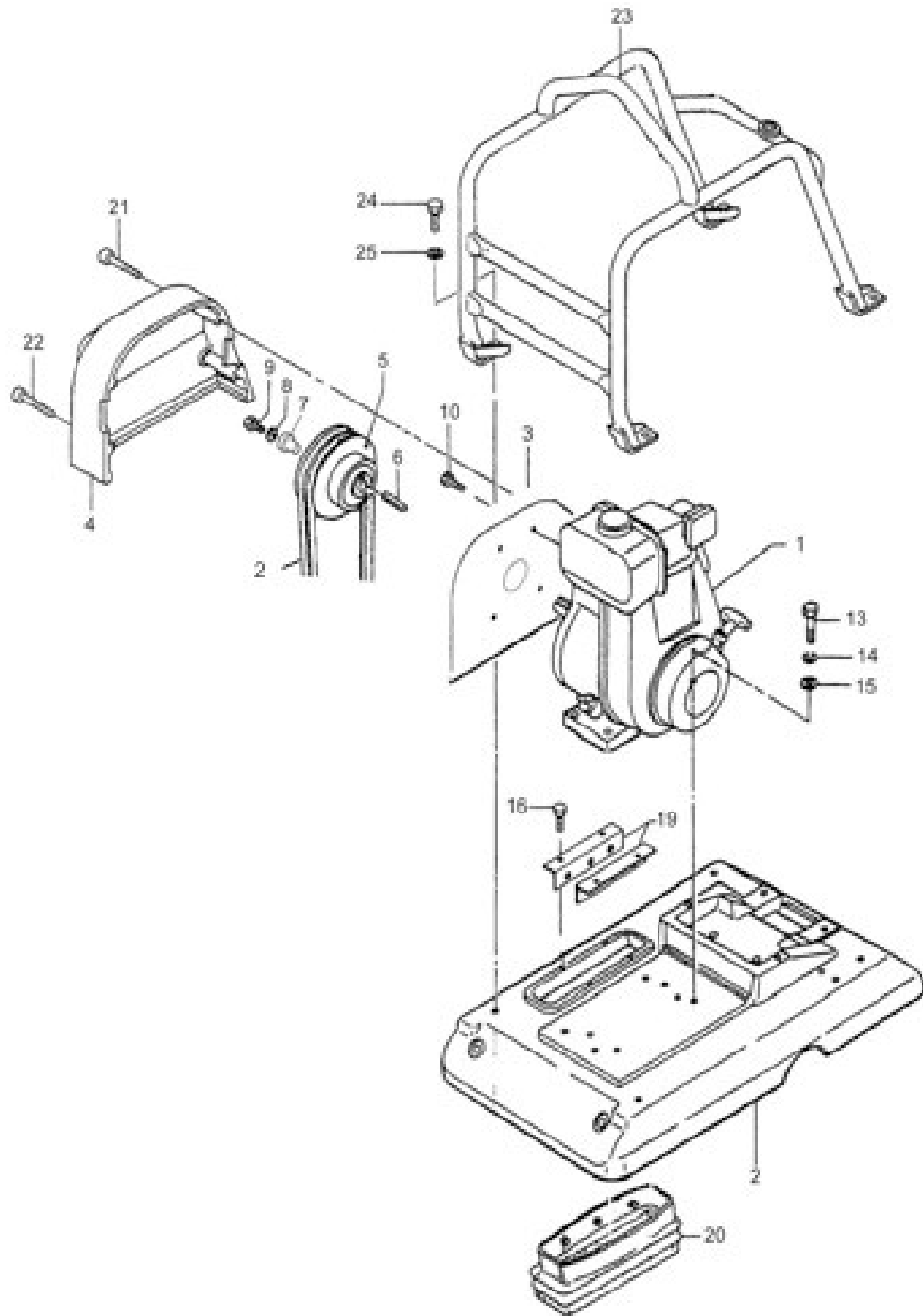


VIBRATING PLATE: BR4600 – PARTS LIST 1

Item #	Part #	Description	QTY	Remarks
1	65CPC-350-01A	VIBRATING PLATE	1	
2	651060	OIL PLUG M16x1.5	2	
3	651061	OIL PLUG SEAL	2	
4	651034	SHOCK ABSORBER	4	
5	31260	LOCKWASHER, M16	4	
6	65CPC-350-06A	BOLT M16x75T	4	
7	31260	LOCKWASHER, M16	4	
8	60138	LOCKNUT, M16	4	
9	16148	HHCS, M16-2.0 x 50MM	8	
10	31260	SW & PACKING M16	8	
11	651111	EXTENSION PLATE	2	OPTION

PARTS LIST 2 – REVERSIBLE HYDRAULIC PLATE COMPACTORS

BODY

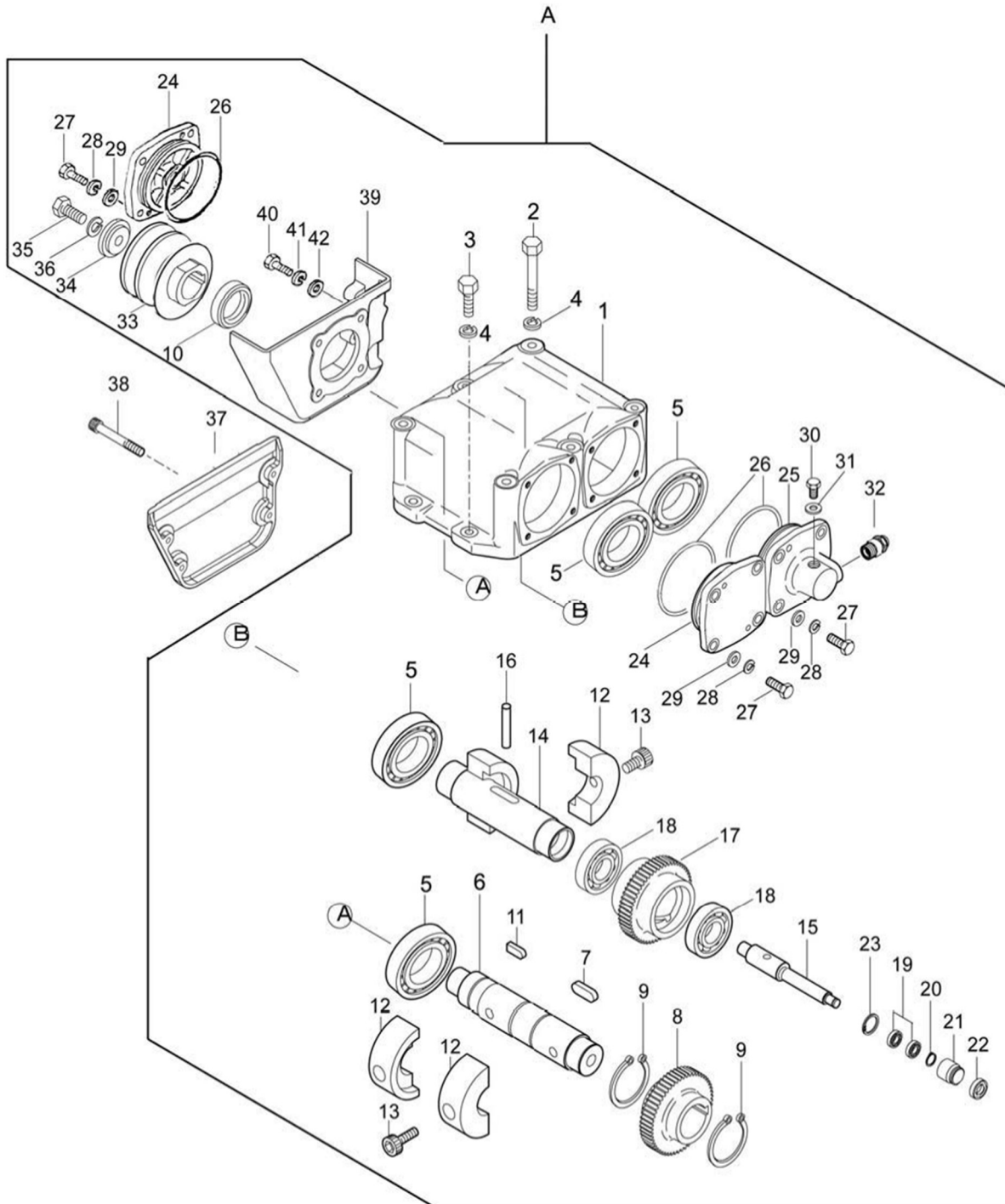


BODY: BR4600 – PARTS LIST 2

Item #	Part #	Description	QTY	Remarks
1	21335	HONDA GX390	1	GAS MODEL
	21429	YANMAR L100W	1	DIESEL MODEL
2	65CPC-350-02B	BASE	1	
3	65CPC-350-03B	BELT COVER (IN)	1	
4	65CPC-350-04B	BELT COVER (OUT)	1	
5	651001	CLUTCH ASSY.	1	
6	10608	KEY ¼" SQ x 1 x 5/32"	1	
7	30038	CLUTCH RETAINER	1	
8				
9	30014	FHSCS,3/8"-24UNCx1"	1	
10	10742	FHSCS,5/16-24 x 1-1/2"	4	
13	14997	HHCS, M10-1.5x45MM	4	
14	11621	SW M10	4	
15	41516	WASHER, M10	4	
16	10068	FHSCS, M6-1.00x16MM	4	
19	65CPC-350-18B	HOLDER, DUST COVER	2	
20	65CPC-350-20B	DUST COVER	1	
21	11509	SHCS, M10-1.5 x 100MM	2	
22	11509	SHCS, M10-1.5 x 100MM	2	
23	65CPC-350-23B	GUARD FRAME	1	
24	16084	HHCS, M14-2.0x40MM	4	
25	64021	LOCKWASHER, M14	4	
26	11898	V-BELT, BX33	1	GAS MODEL
	14522	V-BELT, BX35	1	DIESEL MODEL
DIESEL MODELS ONLY (KEY SWITCH MOUNTING SCREWS)				
27	11625	NYLON LOCK NUT M6-1 (NOT SHOWN)	3	
28	14446	HHCS M6-1 x 12MM LG (NOT SHOWN)	3	

PARTS LIST 3 – REVERSIBLE HYDRAULIC PLATE COMPACTORS

VIBRATOR



VIBRATOR: BR4600 – PARTS LIST 3

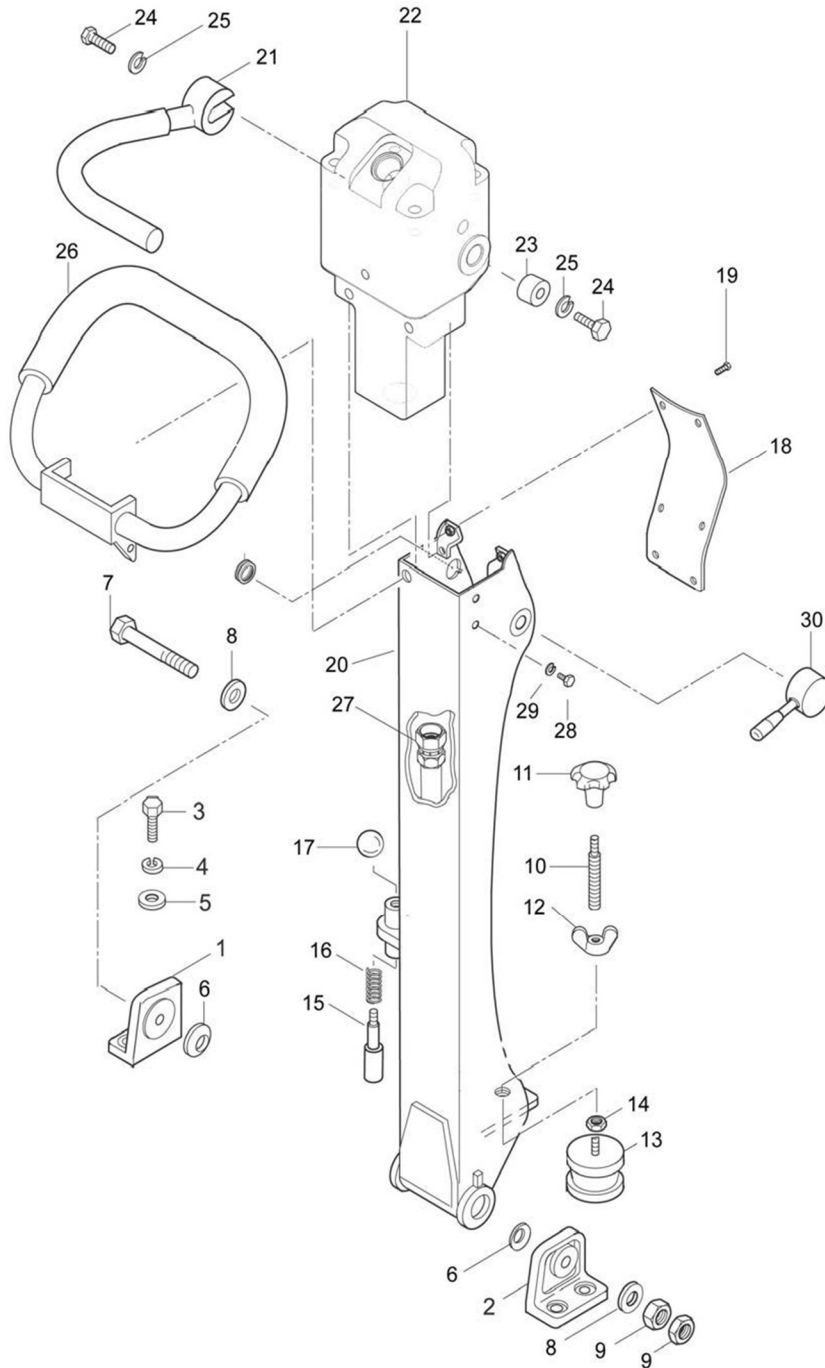
Item #	Part #	Description	QTY	Remarks
A	651023	VIBRATOR ASSEMBLY	1	
1	65CPC-350-01C	VIBRATOR CASE	1	
2	65CPC-350-02C	BOLT M14x150T	6	
3	65CPC-350-03C	BOLT M14x50T	4	
4	64021	LOCKWASHER, M14	10	
5	651203	ROLLER BEARING NJ310 C3	4	
6	65CPC-350-06C	ROTARY SHAFT, DRIVE	1	Kit 651186 Only
7	65CPC-350-07C	KEY 16x10x40	1	Individual or in Kit 651186
8	65CPC-350-08C	GEAR (DRIVE)	1	Kit 651186 Only
9	65CPC-350-09C	STOP RING S-55	2	Individual or in Kit 651186
10	651177	OIL SEAL SB-50729	1	
11	65CPC-350-11C	KEY 12x8x30	1	
12	65CPC-350-12C	ROTATOR WEIGHT	4	Kit 651185 or 651186 Only
13	65CPC-350-13C	SHCS M16x1.5x30	4	Individual or in Kits 651185 or 651186
14	65CPC-350-14C	ROTARY SHAFT, DRIVEN	1	Kit 651185 Only
15	65CPC-350-15C	PISTON ROD	1	Kit 651187 Only
16	65CPC-350-16C	KNOCK PIN 10x70	1	Individual or in Kit 651187
17	65CPC-350-17C	GEAR (DRIVEN)	1	Kit 651185 Only
18	35032	BEARING 6911	2	Individual or in Kit 651185
19	24242	BEARING 6000ZZ	2	Individual or in Kit 651187
20	65CPC-350-20C	STOP RING S-10	1	Individual or in Kit 651187
21	651151	PISTON	1	Kit 651187 Only
22	651074	EXCITER PISTON RING	1	Individual or in Kit 651187
23	651202	STOP RING R-26	1	Individual or in Kit 651187
24	65CPC-350-24C	BEARING COVER	2	
25	65CPC-405-25C	CYLINDER	1	
26	651174	O-RING 106 x 3.1	3	
27	13348	HHCS, M10-1.5 x 25MM	12	
28	11621	LOCKWASHER, M10	12	
29	41516	WASHER, M10	1	
30	651081	HYDRAULIC BLEEDING BOLT	1	
31	651080	WASHER, SEALING	1	
32	65CPC-350-32C	HYDRUALIC FITTING	1	
33	651118	PULLEY, 4"	1	
34	65CPC-350-34C	PULLEY RETAINER	1	
		Parts list 3 continued next page		

Parts list 3 continued				
35	10955	HHCS, M12-1.75 x 40MM	1	
36	10735	LOCKWASHER, M12	1	
37	65CPC-350-37C	BELT COVER (LOWER-OUT)	1	
38	11495	SOCKET HEAD BOLT M8x35	4	
39	65CPC-350-39C	BELT COVER (LOWER-IN)	1	
40	10077	HHCS, M10-1.5 x 35MM	4	
41	11621	LOCKWASHER, M10	4	
42	41516	WASHER, M10	4	
	651185	DRIVEN SHAFT ASSEMBLY INCL. #12,13,14,17,18	1	
	651186	DRIVE SHAFT ASSEMBLY INCL. #6,7,8,9,12,13	1	
	651187	PISTON ASSEMBLY INCL. #15,16,19,20,21,22,23	1	

This Page Left Intentionally Blank

PARTS LIST 4 – REVERSIBLE HYDRAULIC PLATE COMPACTORS

CONTROL

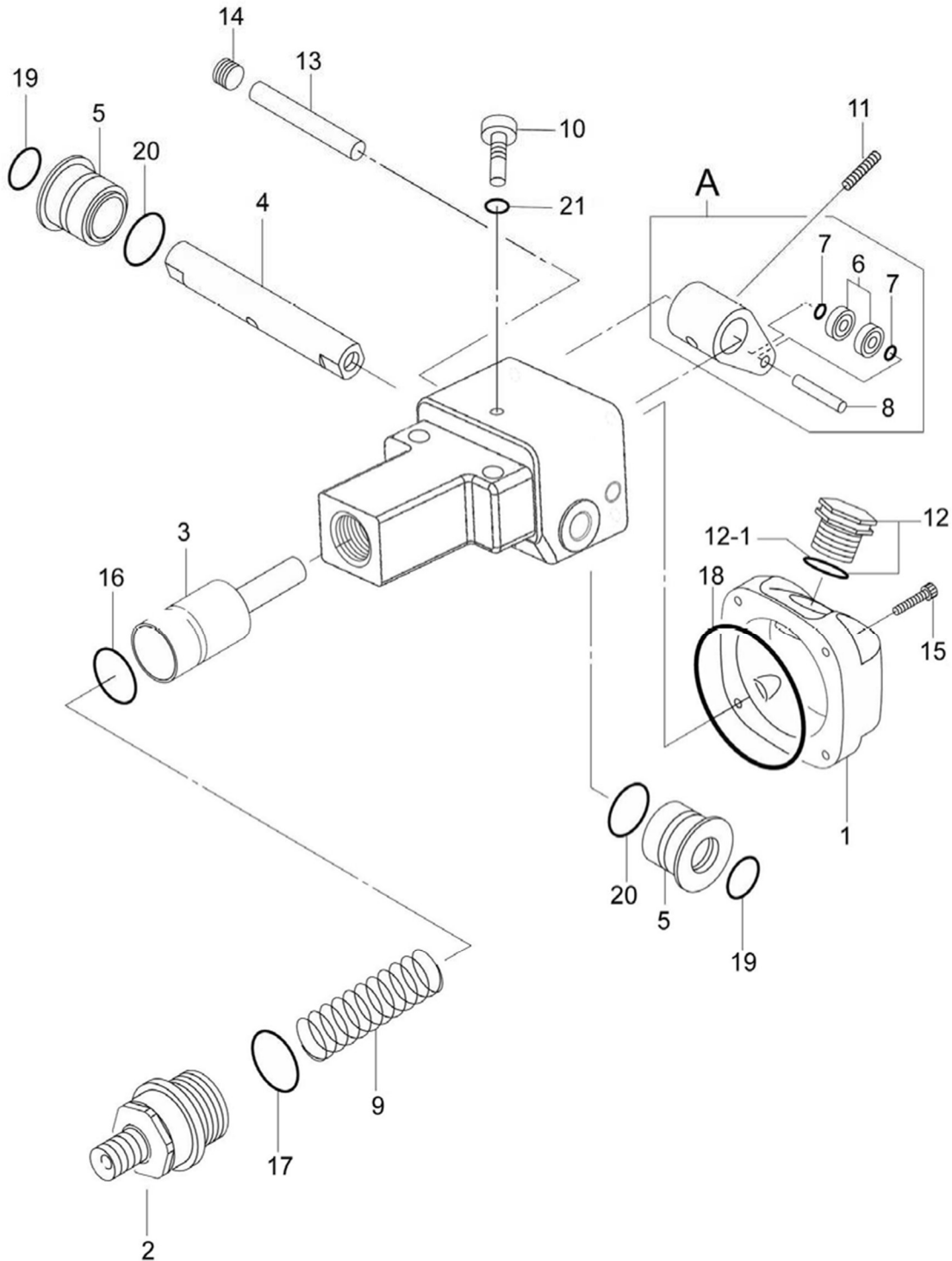


CONTROL: BR4600 – PARTS LIST 4

Item #	Part #	Description	QTY	Remarks
1	65CPC-350-01D	HANDLE BRACKET (L)	1	
2	65CPC-350-02D	HANDLE BRACKET (R)	1	
3	10881	HHCS, M12x1.75 x 35mm	4	
4	10735	LOCKWASHER, M12	4	
5	10993	WASHER, M12	4	
6	651207	CONICAL SPRING WASHER M16	4	
7	65CPC-350-07D	BOLT M16x180T	1	
8	651073	WASHER, M16	2	
9	60138	LOCKNUT, M16	1	
10	651134	SPINDLE, M16	1	
11	651135	KNOB, M16	1	
12	651136	WING NUT, M16	1	
13	651038	SHOCK ABSORBER	1	
14	11622	HEX NUT, M10	1	
15	651082	HANDLE LOCK	1	
16	651083	SPRING/HANDLE (1.4x18x44)	1	
17	651065	BALL GRIP 32D-M10	1	
18	65CPC-350-18D	HANDLE COVER	1	
19	11536	FHSCS, M6-1x10	8	
20	65CPC-350-20D	HANDLE	1	
21	651141	TRAVEL LEVER	1	
22	651041	HAND PUMP ASSEMBLY	1	
23	65CPC-350-23D	HANDLE BUSHING	1	
24	11619	HHCS, M8-1.25 x 25MM	2	
25	11621	LOCKWASHER, M10	2	
26	651139	HAND BAR GRIP	1	
27	651140	HYDRUALIC OIL HOSE	1	
28	13348	HHCS, M10-1.5 x 25MM	2	
29	11621	LOCKWASHER, M10	2	
30	651051	THROTTLING LEVER, NO CABLE	1	
30-1	651056	THROTTLE CABLE ONLY	1	

PARTS LIST 5 – REVERSIBLE HYDRAULIC PLATE COMPACTORS

HAND PUMP ASSEMBLY

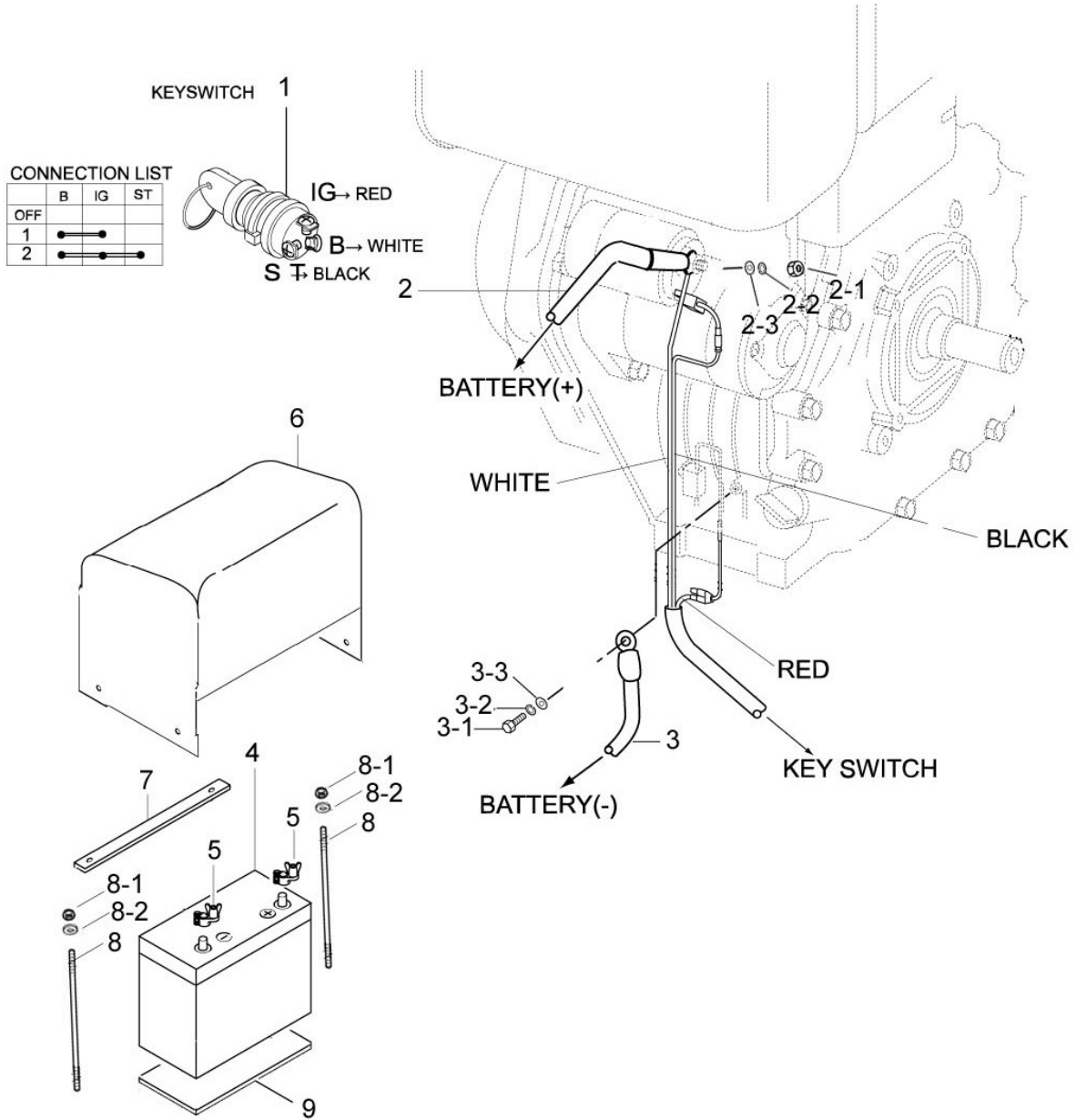


HAND PUMP ASSEMBLY: BR4600 – PARTS LIST 5

Item #	Part #	Description	QTY	Remarks
A	651200	CAN COMP (PUMP) INCL. #6,7,8	1	
1	65CPC-350-01E	COVER (HAND PUMP)	1	
2	65CPC-350-02E	CYLINDER CP (PUMP)	1	
3	651181	PISTON CP (PUMP)	1	
4	651230	CONTROL SHAFT (PUMP)	1	
5	651231	BUSHING	2	
6	651206	BEARING 607ZZ	2	Kit 651200 Only
7	65CPC-350-07E	O-RING 12x2.4	2	Kit 651200 Only
8	651130	PIN 7x30	1	Kit 651200 Only
9	65CPC-350-09E	PISTON SPRING (PUMP)	1	
10	10407M	STOP PLUG M8x30T	1	
11	651132	PIN 6x25	1	
12	651205	BREATHER PLUG	1	
12-1		BREATHER PLUG SEAL	1	
13	65CPC-350-13E	STOPPER 12X80	1	
14	651201	PLUG	1	
15	10155	SOCKET HEAD BOLT M8x35T	4	
16	65CPC-350-16E	OIL SEAL 22.4x4.8	1	Kit 651129 Only
17	65CPC-350-17E	PACKING 24	1	Kit 651129 Only
18	65CPC-350-18E	O-RING 70x20	1	Kit 651129 Only
19	65CPC-350-19E	O-RING 19x2.5	2	Kit 651129 Only
20	65CPC-350-20E	O-RING 24x2.5	2	Kit 651129 Only
21	65CPC-350-21E	PACKING 8	1	Kit 651129 Only
	651129	O-RING KIT INCL. #16,17,18,19,20,21	1	

PARTS LIST 6-REVERSIBLE HYDRAULIC PLATE COMPACTORS

ELECTRIC START (DIESEL MODEL ONLY)



ELECTRIC START (DIESEL MODEL ONLY): BR4600 – PARTS LIST 6

Item #	Part #	Description	QTY	Remarks
1	65CPC-350-1F	START SWITCH AY	1	
2	65CPC-350-2F	BATTERY CORD (+)	1	
3	65CPC-350-3F	BATTERY CORD (-)	1	
4	651208	BATTERY	1	
5	65CPC-350-5F	BATTERY TERMINAL	2	
6	65CPC-350-6F	BATTERY COVER	1	
7	65CPC-350-7F	BATTERY HOLDER	1	
8	65CPC-350-8F	BATTERY BOLT	2	
8-1	11622	HEX NUT, M10	2	
8-2	41516	WASHER, M10	2	
9	65CPC-350-9F	RUBBER PACKING	1	

This Page Left Intentionally Blank

This Page Left Intentionally Blank

CONTRACTOR PROVEN EQUIPMENT SINCE 1946



170 Traders Blvd E
Mississauga, ON L4Z 1W7
Canada

4701 Allmond Avenue
Louisville, KY 40209
United States

200 Commerce Drive
Freehold, NJ 07728
United States

Honeyholes Lane
Dunholme, Lincoln LN2 3SU
United Kingdom



BartellGlobal.com