

Dust Extractors

HD1, HD2, HD3



www.BartellGlobal.com

CANADA

170 Traders Blvd E
Mississauga, Ontario L4Z 1W7
TEL (647) 953-4100 FAX (647) 953-4101

KENTUCKY

4701 Allmond Ave
Louisville, Kentucky 40209
TEL (425) 405-9100 FAX (425) 405-9101

UK

Honeyholes Lane
Dunholme, Lincoln, UK LN2 3SU
TEL 01673 860709 FAX 01673 861119

NEW JERSEY

200 Commerce Drive, Unit A
Freehold, New Jersey 07728
TEL (848) 225-8100 FAX (848) 225-8101

**ORIGINAL LANGUAGE OPERATING MANUAL FOR
BARTELL RIDE-ON TROWELS**

© 2023 Bartell Global Inc.

No part of this work may be reproduced or transmitted in any form or by any means, electronic or mechanical, including photocopying and recording, or by any information storage or retrieval system without the prior written permission of Bartell Morrison Inc. unless such copying is permitted by federal copyright laws.

ADDRESS INQUIRIES OR REFERENCE PERMISSIONS CARE OF:

Bartell Global, 170 Traders Blvd E., Mississauga, Ontario, Canada, L4Z 1W7

| REV. | DATE | DESCRIPTION | APPROVED BY: |
|------|----------|-------------------------------------------------------|--------------|
| - | 22/10/18 | Initial release | |
| 1 | 25/11/19 | Updated HD1 Accessories | A.N. |
| 2 | 16/06/21 | P/N Updates, Formatting | A.N. |
| 3 | 09/22 | Updated Parts Breakdowns | A.N. |
| 4 | 05/23 | Updated Some P/N's, Updated note on bottom of page 10 | A.N. |
| | | | |
| | | | |
| | | | |
| | | | |
| | | | |
| | | | |






| SAFETY PRECAUTIONS | |
|-------------------------------------------------------------------------------------|---------------------------------------------------------------------------------------------------------------------------------------------------------------------------------------------------------------|
|  | <p>DANGER EXPLOSION HAZARD</p> <p>Never operate the machine in an explosive atmosphere, near combustible materials, or where ventilation does not clear exhaust fumes.</p> |
|  | <p>WARNING BURN HAZARD</p> <p>Never come into contact with the engine or muffler when engine is operating or shortly after it is turned off. Serious burns may occur.</p> |
|  | <p>WARNING ROTATING HAZARD</p> <p>Never place hands or feet inside safety guard rings. Serious injury will result from contact with rotating blades.</p> |
|  | <p>CAUTION MOVING PARTS</p> <p>Before starting the machine, ensure that all guards and safety devices are in place and functioning properly.</p> |
|  | <p>ATTENTION READ OWNER'S MANUAL</p> <p>Read and understand owner's manual before using this machine. Failure to follow operating instructions could result in serious injury or death.</p> |

TABLE OF CONTENTS

| | | |
|------------|-------------------------------------------------|-----------|
| 1. | <u>About This Manual</u> | 5 |
| 2. | <u>Important Safety Instructions</u> | 6 |
| | ○ GENERAL PRECAUTIONS | 6 |
| | ○ ELECTRICAL SAFETY | 7 |
| | ○ THERMAL PROTECTION | 7 |
| | ○ GROUNDING INSTRUCTIONS | 7 |
| 3. | <u>Unpacking</u> | 8 |
| 4. | <u>Intended Use</u> | 8 |
| 5. | <u>Servicing</u> | 8 |
| 6. | <u>Operating Instructions</u> | 9 |
| | ○ VACUUMING | 9 |
| | ○ FILTER CLEANING | 9 |
| | ○ DUST STORAGE AND RELEASE | 10 |
| | ○ DUST COLLECTING AND BAGGING. | 10 |
| 7. | <u>Filter Change</u> | 10 |
| | ○ CHANGE OF MAIN FILTER | 10 |
| | ○ CHANGE OF HEPA FILTER | 11 |
| 8. | <u>Technical Specifications</u> | 11 |
| 9. | <u>Troubleshooting</u> | 12 |
| 10. | <u>Parts Breakdown</u> | 13 |
| | ○ HD1 ACCESSORIES | 14 |
| | ○ HD2 & HD3 ACCESSORIES | 15 |
| | ○ PARTS LIST 1: HD1 EXPLODED VIEW | 16 |
| | ○ PARTS LIST 2: HD1 WAGON ASSEMBLY | 18 |
| | ○ PARTS LIST 3: HD1 MOTOR ASSEMBLY | 19 |
| | ○ PARTS LIST 4: HD1 ELECTRICAL COMPONENTS | 21 |
| | ○ PARTS LIST 5: HD2 EXPLODED VIEW | 22 |
| | ○ PARTS LIST 6: HD2 WAGON ASSEMBLY | 24 |
| | ○ PARTS LIST 7: HD2 MOTOR ASSEMBLY | 25 |
| | ○ PARTS LIST 8: HD2 ELECTRICAL COMPONENTS | 27 |
| | ○ PARTS LIST 9: HD3 240V EXPLODED VIEW | 28 |
| | ○ PARTS LIST 10: HD3 240V WAGON FRAME BREAKDOWN | 30 |
| | ○ PARTS LIST 10: HD3 240V WAGON FRAME BREAKDOWN | 30 |
| | ○ PARTS LIST 11: HD3 240V MOTOR ASSEMBLY | 31 |
| | ○ PARTS LIST 12: HD3 240V WAGON FRAME BREAKDOWN | 33 |
| | ○ PARTS LIST 13: HD3 120V EXPLODED VIEW | 34 |
| | ○ PARTS LIST 14: HD3 120V WAGON FRAME BREAKDOWN | 36 |
| | ○ PARTS LIST 14: HD3 120V WAGON FRAME BREAKDOWN | 36 |
| | ○ PARTS LIST 15: HD3 120V MOTOR ASSEMBLY | 37 |
| | ○ PARTS LIST 16: HD3 120V WAGON FRAME BREAKDOWN | 39 |
| 11. | <u>Warranty</u> | 41 |

1. About This Manual

This Manual contains the information and procedures to assist you to operate and maintain the HD Dust Vacuum machine safely and correctly. Read this Manual before you operate or service the equipment. If you need additional information or assistance, please get in touch with our Customer Service Department:

Innovatech Products & Equipment Co.
4701 Allmond Ave
Louisville, KY 40209
(425) 402-1881 or 800-267-6682
Fax (425) 402-8547
Email: service@InnovatechProducts.com

Please take note:

- These instructions are for the single phase, 2-stage HD1/2/3 Dust Extractors only.
- The machines are designed to clean construction area and can be connected to powered hand tools, small/medium size grinders, etc.
- Please pay attention to all safety regulations.
- Read the complete operating manual prior to using the machines.
- All repairs must be performed by a qualified service person. Use only the replacement parts supplied or specified by Innovatech.
- Innovatech shall, under no circumstances, be deemed liable for any accidents or damage caused if the machine is used for other applications or has been used in a way other than those shown in the operating manual.

2. Important Safety Instructions

General Precautions

- The employer must inform and train the user according to the provisions of applicable laws. Use of the machine by untrained and unauthorized persons is strictly forbidden.
- Read the complete instruction manual before operating your dust extractor. Pay particular attention to the safety regulations. Failure to observe the safety regulations could cause serious accidents and injuries.
- This machine is not intended for use by persons (including children) with reduced physical, sensory or mental capabilities, or lack of experience and knowledge.
- Make sure the assembly area is firm, so the machine does not tip over. Risk of personal and material injury.
- Pay extra attentions when cleaning on slopes, ramps, or stairs.
- Make sure the parked machine remains stable by operating the wheel brake.
- Risk of pinching when handling the toggle fasteners.
- Keep children and unauthorized persons away from machine when in use. Close attention is necessary when operated closed to children.
- Keep hair, loose clothing, fingers and all parts of body away from openings and moving parts (except during a filter cleaning procedure when the machine is unplugged).
- Make sure all the guards and protection devices are in place and that all the safety devices are in place and working properly.
- Do not open the vacuum container with the machine running.
- Do not wear loose or hanging clothing such as ties, scarves or torn garments that could become trapped and be sucked up by the cleaner.
- Do not use without dust bag and/or filters in place. Replace collection system and/or filters as described in manual.
- Do not modify machine from its original design.
- All repairs must be performed by a qualified service person. Use only manufacturer supplied or specified replacement parts.
- Innovatech shall, under no circumstances, be deemed liable for any accidents or damage caused if the machine is used for other applications or has been used in a way other than those shown in the operating manual.

Electrical Safety

- Improper connection of the equipment-grounding conductor can result in a risk of electrical shock. Check with a qualified electrician or service person if you are in doubt as to whether the outlet is properly grounded.
- Do not modify the plug provided with the machine. If it will not fit the outlet, have a proper outlet installed by a qualified electrician.
- Before using the machine, make sure that the power & voltage corresponds with the voltage shown on the machines rating plate.
- Do not leave machine when plugged in. Unplug cord from outlet when not in use and before cleaning or servicing machine.
- Cables damaged through crushing or splitting can be dangerous if used and should be replaced immediately. Risk of personal injury.
- Do not use with damaged cord or plug. If the machine is not working as it should, has been dropped, damaged, left outdoors or dropped in water. Make sure it is repaired by a qualified person.
- Do not pull or carry by cord, use cord as handle, close a door on cord, or pull cord around sharp edges or corners. Do not run the machine over cord. Keep cord away from heated surfaces.
- Do not unplug by pulling on cord. To unplug, grasp the plug. Not the cord.
- Do not handle plug or machine with wet hands.
- Regularly inspect cord and plug for damage. If cord is damaged, it must be replaced by a qualified person in order to avoid hazard.
- Turn off all controls before unplugging.
- If using an extension cord make sure the cord rating is suitable for this machine.
- Connect to a properly grounded outlet only. See grounding instructions.

Thermal Protection

The dust extractor is equipped with a safety thermal protector to prevent motor from overheating. Should thermal protector activate, turn off machine, unplug power cord and check for full dust bag, vacuum hose clog or filter blockage. It may take up to 45 minutes for the thermal protector to reset.

Grounding Instructions

The dust extractor must be grounded. If a dust extractor malfunctions or breakdowns, grounding provides a path of least resistance for electric current to reduce the risk of electric shock. The dust extractor is equipped with a cord having an equipment-grounding conductor and grounding plug. The plug must be inserted into an appropriate outlet that is properly installed and grounded in accordance with all local codes and regulations.

3. Unpacking

When unpacking the machine, make sure that the following accessories are included:

- A hose with end fittings
- Metal wand
- Floor tools and its spare parts

If any of the above-mentioned parts are missing, please contact your local distributor or our sales representative.

4. Intended Use

The machine is designed for vacuuming and separating dry, non-combustible dust with an explosion limit value of 0.1mg/m³.

- Do not use the machine outdoors or on wet surface, this machine is designed for indoor and dry use only.
- Do not expose machine to rain or moisture, store indoors only.
- Do not use to pick up any type of liquids.
- Do not use to pick up any flammable or combustible substances, or the substances which could cause explosions (fuels, solvents, etc.), don't use in an area where they may be present.
- Do not use to pick up any substances that is burning or smoking substances, such as cigarettes and matches, or hot ashes.
- Innovatech shall, under no circumstances, be deemed liable for any accidents or damage caused if the machine is used for other applications.

5. Servicing

- When cleaning and servicing the machine, you must switch off the machine and remove the plug from the outlet.
- Don't clean the machine with a high pressure cleaner. If necessary, do not direct at the openings on the machine, especially the opening for cooling air.
- Before moving the machine from the work area, the machine must be cleaned.
- Proper personnel protective equipment must be used while replacing the pre-filter or the HEPA filter. If possible, use a special suitable room.
- All parts which are contaminated after service must be properly disposed of in plastic bags according to all regulations.
- If the machine has to be used for other purposes, it is extremely important that the machine is cleaned, to avoid the spread of hazardous dust.
- Do not puncture the HEPA filter. Risk of dust dispersion.

6. Operating Instructions

Vacuuming

Before starting a vacuuming process,

- make sure the machine is properly connected to a machine or a floor tool via the provided hose and fittings.
- check the power cable and the plugs are in a good condition.
- make sure the power voltage corresponds to that on the rating plate and connect correctly the power plug to a power socket

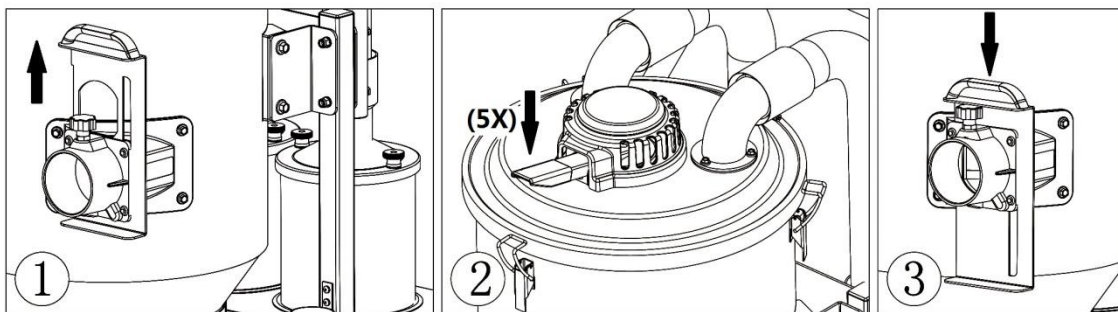
Turn on the **power switch** to start a vacuuming process.

During the vacuuming process, dust-laden air is sucked through the flexible hose and inlet valve at a high speed. The air is then slowed down by the cyclone, and coarse dust particles are separated out partly by centrifugal force and partly by gravity. Air and finer particles pass through the pre-filter at the first stage and the HEPA filter at the final stage where separation is made.

Filter Cleaning

The machine is designed for filter cleaning by reverse air “jet-pulse”.

The filter must be cleaned from time to time. This must be done before changing the bag collection system and should also be done when work is completed or whenever there is a poor suction.



Filter cleaning procedure:

- 1) Cover the inlet by lifting up the inlet valve and let the machine build up vacuum for 4 to 5 seconds,
- 2) Quickly push down the filter cleaning handle and release it. Repeat the procedure five times. It is important to let the machine rebuild the vacuum in between every repetition,
- 3) Open the inlet again by pushing down the inlet valve.

If suction remains poor, the conical pre-filter needs to be replaced. If suction still remains poor afterwards, the HEPA filters needs to be replaced. See instructions in the next chapter.

Dust storage and release

The separated dust accumulates in the conic bottom during the vacuuming process, and it drops through the bottom flap into the plastic bag when the machine is switched off. In some extreme cases the adhesive ability of the dust must be broken manually. This can be done by hitting the dust through the bag or tapping the tank using i.e. a rubber hammer.

Dust collecting and bagging.

The machine is equipped with a continuous fold bag system for an effective dust collecting and bagging. The supplied fold bag is a 22 m long plastic tube that will be divided into individual bags using the zip ties attached with the machine.

To assemble a new fold bag:

- 1) Release the belt holding the last bag and take off the bag holder.
- 2) Put in a new fold bag & pull out the inner end upwards.
- 3) Assemble the holder onto the machine and strap the opening facing upwards with the belt.
- 4) Pull down the outside end and close it using a zip tie.

Before changing a fold bag or a regular bag, make sure the filter cleaning cycle has been completed.

7. Filter Change

Unhealthy dust can be spread during filter change. Accordingly, the user should wear protective glasses, protective gloves, and a breathing mask conforming to protection class FFP3. Remember to switch off and unplug the machine before servicing.



wear breathing mask

wear ear protection

wear protective glasses

Change of Main Filter

- 1) Loosen the 3 hooks and remove the top cover. Take out a new filter from its bag. Lift out the used filter from its chamber and place it gently into the filter bag. This bag must be closed and disposed properly.
- 2) Insert a new filter.
- 3) Put back the top head and close the 3 hooks properly.

IMPORTANT! If you are removing the main filter in order to clean it. Hitting the filter with force or with water will destroy the filter. You can use low pressure air to blow the filter from the inside out (Max 30psi of air pressure).

Change of HEPA Filter

- 1) Loosen the 2 nuts on each filter cover. Take out a new filter from its bag. Lift out the used HEPA filter from its chamber and place it gently into the filter bag. This bag must be closed and disposed properly.
- 2) Insert a new filter to the filter chamber.
- 3) Put back the filter cover and close the 2 nuts properly.

IMPORTANT! HEPA filters can't be cleaned, trying this might destroy it. When installing the replacement filter, make sure not touch the inside of the filter. Any kind of force/damage on the inside of filter media will destroy the new filter.

8. Technical Specifications

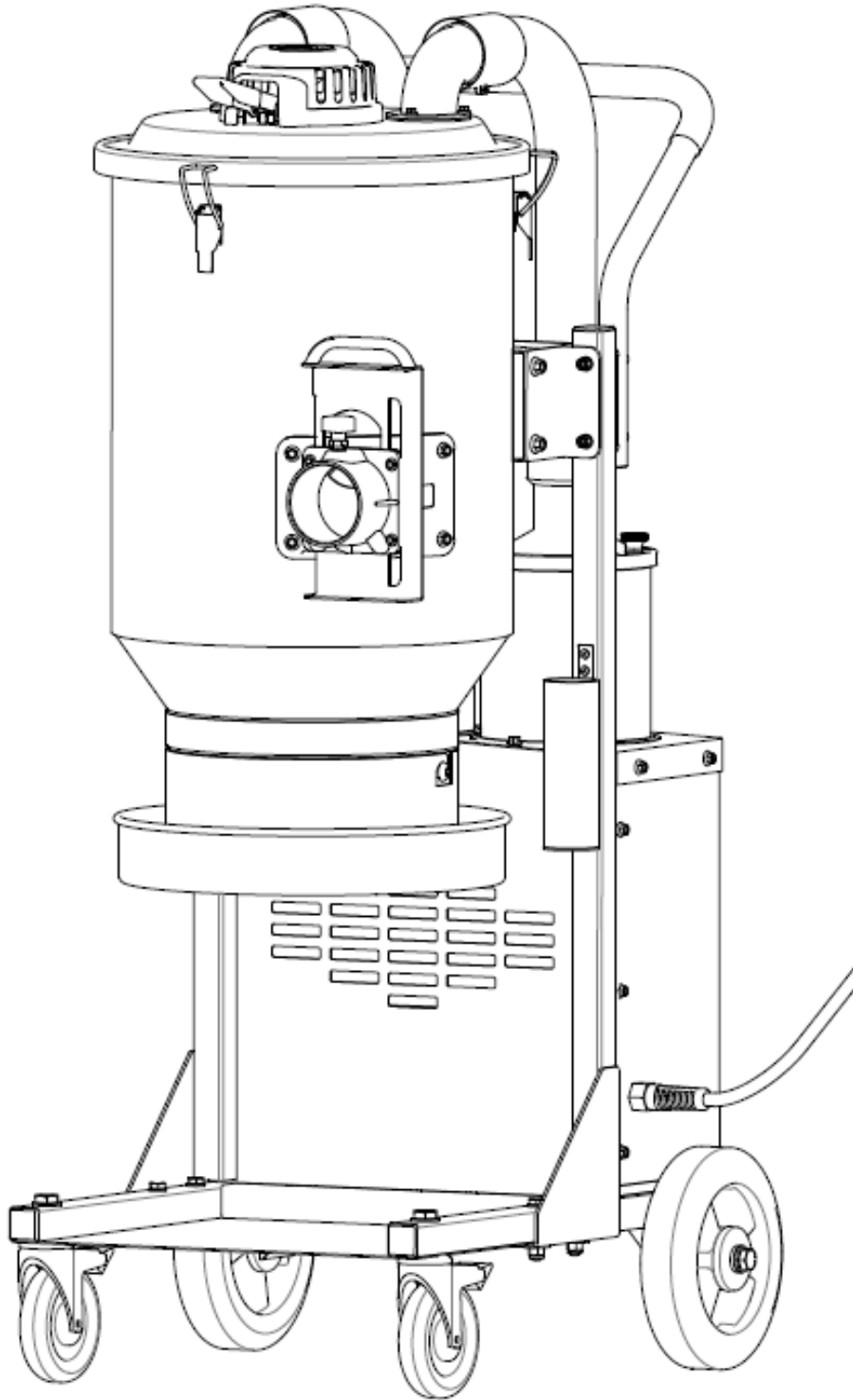
| data | unit | HD1 | HD2 | HD3 |
|--------------------------|-----------------------|-----------------|-----------------|-----------------|
| Voltage (Single Phase) | V | 120 | 120 | 230 |
| Max. Power | W | 1200 | 2400 | 3600 |
| | HP | 1.6 | 3.2 | 4.8 |
| Current | A | 8 | 16 | 12 |
| Max. Air Flow | m ³ /h | 200 | 400 | 600 |
| | CFM | 118 | 236 | 354 |
| Max. Vacuum | mbar | 240 | 240 | 220 |
| | inch H ₂ O | 100 | 100 | 90 |
| Main Hose | mm | D38x5m | D51x7.5m | D51x7.5m |
| | inch | D1.5"x16.5' | D2.0"x24' | D2.0"x24' |
| Inlet | mm | 63 | 63 | 63 |
| | inch | 2.5" | 2.5" | 2.5" |
| Pre-Filter (EN779-F8) | % | >99.5% @1.0 um | >99.5% @1.0 um | >99.5% @1.0 um |
| Pre-Filter Surface Area | m ² | 1.5 | 3.2 | 4.5 |
| | ft ² | 16 | 34 | 49 |
| HEPA Filter (EN1822-H13) | % | >99.99% @0.3 um | >99.99% @0.3 um | >99.99% @0.3 um |
| HEPA Filter Surface Area | m ² | 1.2x1 | 1.2x2 | 1.2x3 |
| | ft ² | 13x1 | 13x2 | 13x3 |
| Noise Level | dB(A) | 70 | 70 | 70 |
| Dimensions with Carton | mm | 650x420x1070 | 650x575x1260 | 780x590x1460 |
| | inch | 25.6x16.5x42.0 | 25.6x22.6x49.6 | 30.7x23.2x57.5 |
| Weight | kg | 35 | 54 | 67.5 |
| | lbs | 77 | 119 | 149 |

9. Troubleshooting

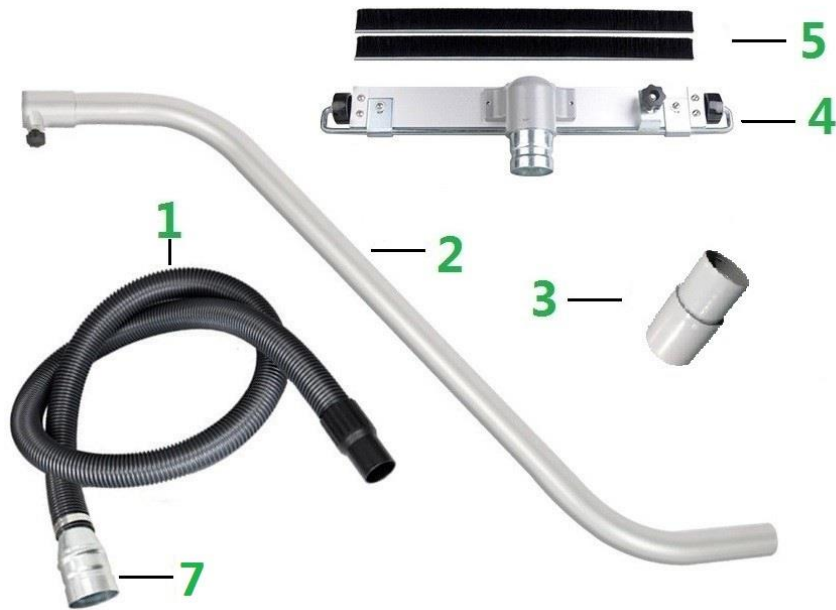
The machine is designed and manufactured for a specific severe environments and tasks. Its filter, seals, attachments, and fittings are customized or selected specifically for the applications. Please note that the machine must be protected from knocks and blows. The operator and service personnel must treat the machine with care for it to work correctly for an expected life span.

| Problem | Cause | Solution |
|---------------------------------------|----------------------------|---------------------------------------------------------------------------------------------------------------------------------------------------------------------------------|
| Motor fails to start | No power | Check power supply. Make sure power cable and plugs are in a good condition and properly connected, Check the power switch is in a good condition and properly connected. |
| Motor stops shortly after start | Wrong fuse | Connect to a correct fuse |
| | Shortcut in cable/machine | Order service |
| Motor runs but no suction | Hose not connected | Connect hose |
| | Hose clogged or blocked | Clean hose |
| | No dust collection bag | Fit dust collection system |
| Motor runs but with poor suction | Hole in hose | Replace hose |
| | Filter clogged | Clean filter or replace filter |
| | Loose top cover | Make an adjustment of hooks or top cover |
| | Defective seals or gaskets | Replace defective seals or gaskets |
| Dust leaks out | Hole in hose | Replace the defective hose |
| | Damaged filter | Replace the damaged filter |
| | Poor assembled filters | Make an adjustment of the poorly assembled filters |
| Machine works noisy or works abnormal | various causes | Consult the technical support agent or order a service |

10. Parts Breakdown



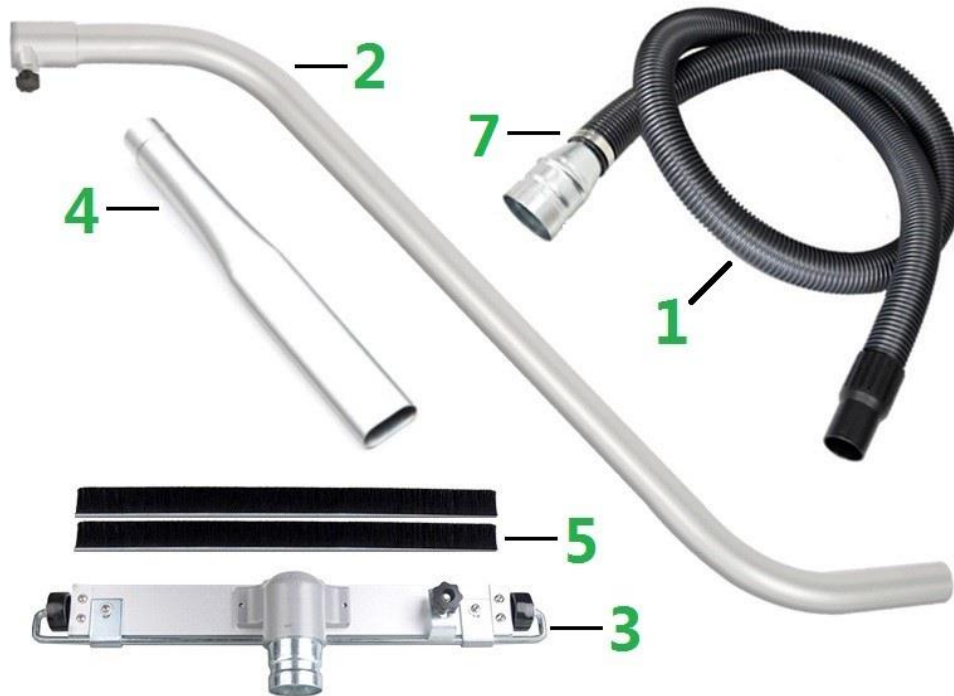
HD1 Accessories



HD1 Accessories

| Item No. | Part Number | Description | Qty. |
|----------|-------------|---------------------------------------|------|
| 1 | 833-0069 | HOSE KIT D40X5.0M (INCL END ADAPTORS) | 1 |
| 2 | 833-0028 | D50 S WAND | 1 |
| 3 | 833-0112 | 1.5" TO 2" HOSE ADAPTOR (GREY) | 1 |
| 4 | 833-0029 | D50 FLOOR BRUSH | 1 |
| 5 | 833-0098 | HD1/2/3 SPARE BRUSH | 1 |
| 6 | 833-0116 | RUBBER BLADE/SQUEEGEE 430MM | 2 |
| | 833-0117 | RUBBER BLADE/SQUEEGEE 550MM | 2 |
| 7 | 833-0118 | HD1 VAC TO HOSE CONNECTOR | 1 |

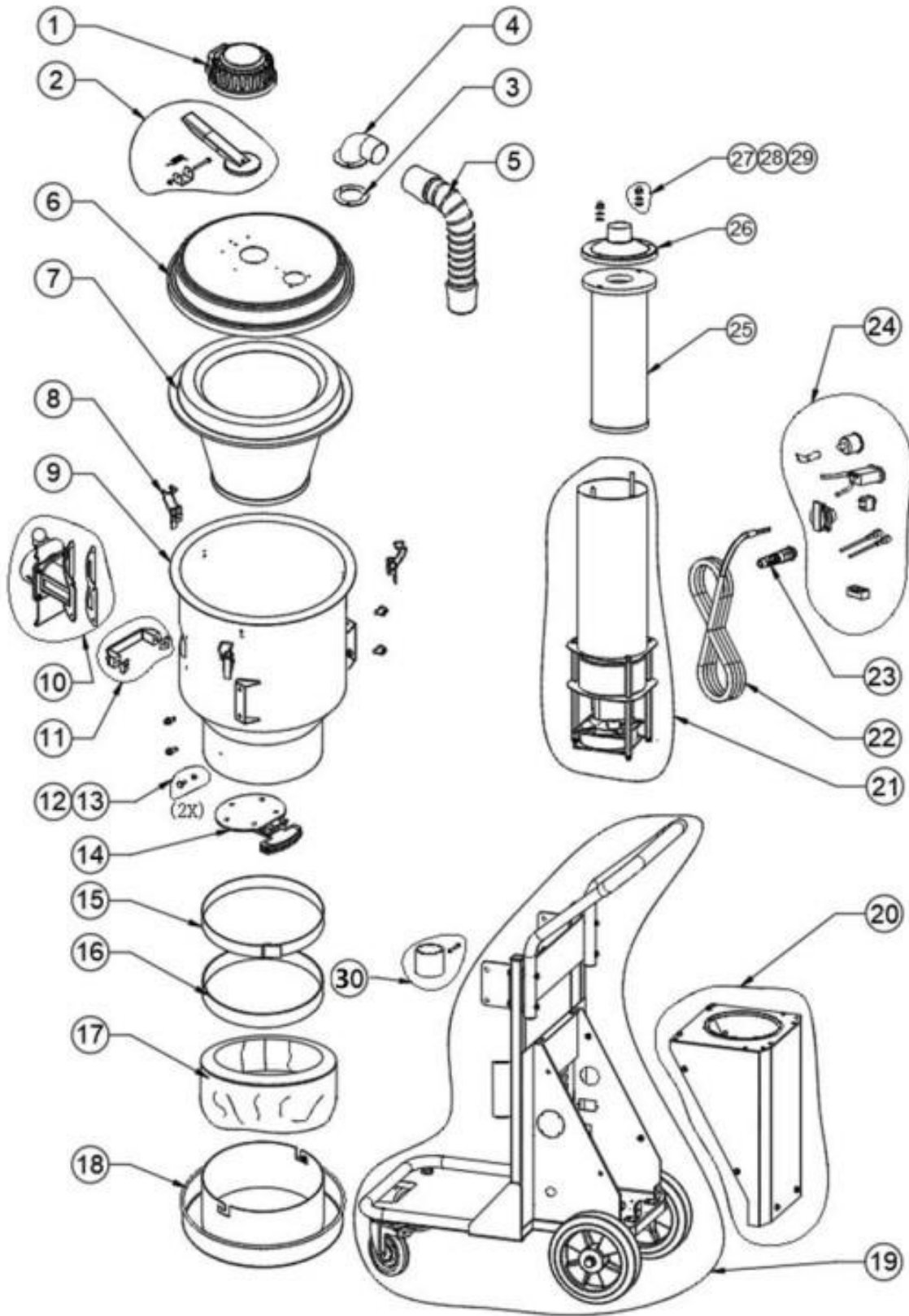
HD2 & HD3 Accessories



HD2 & HD3 Accessories

| Item No. | Part Number | Description | Qty. |
|----------|-------------|---------------------------------------|------|
| 1 | 833-0070 | HOSE KIT D50X7.5M (INCL END ADAPTORS) | 1 |
| 2 | 833-0028 | D50 S WAND | 1 |
| 3 | 833-0029 | D50 FLOOR BRUSH | 1 |
| 4 | 833-0010 | D50 CREVICE TOOL | 1 |
| 5 | 833-0098 | HD2/3 SPARE BRUSH | 1 |
| 6 | 833-0116 | RUBBER BLADE/SQUEEGEE 430MM | 2 |
| | 833-0117 | RUBBER BLADE/SQUEEGEE 550MM | 2 |
| 7 | 833-0119 | HD2/3 VAC TO HOSE CONNECTOR | 1 |

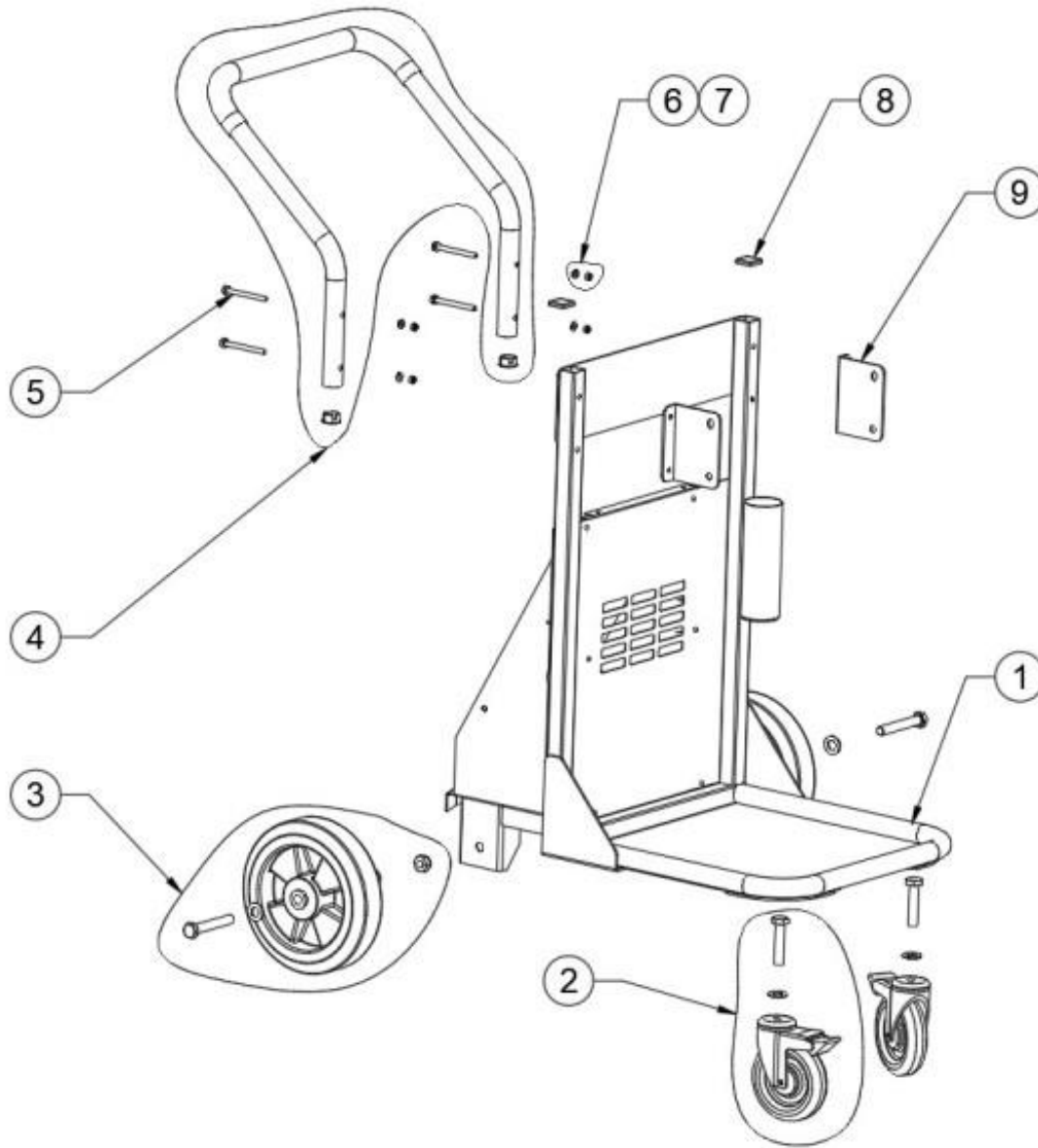
PARTS LIST 1: HD1 Exploded View



PARTS LIST 1: HD1 Exploded View

| Item No. | Part Number | Description | Qty. |
|----------|-------------|------------------------------------------|------|
| 1 | 833-0060 | PURGE HANDLE COVER KIT | 1 |
| 2 | 833-0030 | PURGE HANDLE KIT | 1 |
| 3 | 833-0080 | BEND CONNECTOR SEAL | 1 |
| 4 | 833-0011 | D50 BEND CONNECTOR | 1 |
| 5 | 833-0086 | HOSE D50X375 WITH FITTINGS | 3 |
| 6 | 833-0013 | HD1 TOP COVER | 1 |
| 7 | 833-0001 | HD1 MAIN FILTER | 1 |
| 8 | 833-0036 | HOOK 95 KIT | 1 |
| 9 | 833-0014 | HD1 PRE-FILTER CHAMBER | 1 |
| 10 | 833-0045 | D70 INLET ASSEMBLY | 1 |
| 11 | 833-0057 | HAND HOLDER KIT | 1 |
| 12 | 833-0107 | KEY M5 | 2 |
| 13 | 30843 | LOCKNUT M5 | 2 |
| 14 | 833-0032 | FLAP ASSEMBLY | 1 |
| 15 | 833-0110 | PACKING BELT | 1 |
| 16 | 833-0085 | FOAM RING | 1 |
| 17 | 833-0005 | DROP-DOWN BAG | 1 |
| 18 | 833-0012 | DROP-DOWN BAG HOLDER | 1 |
| 19 | 833-0031 | HD1 WAGON FRAME ASSEMBLY | 1 |
| 20 | - | HD1 MOTOR CHAMBER COVER KIT | 1 |
| 21 | 833-0033 | HD1 120V MOTOR ASSEMBLY | 1 |
| 22 | 833-0066 | HD1 120V ELECTRICAL CORD SET | 1 |
| 23 | 833-0101 | CABLE STRAIN RELIEF | 1 |
| 24 | - | ELECTRONIC COMPONENTS (SEE PARTS LIST 4) | 1 |
| 25 | 833-0004 | HEPA FLTER | 1 |
| 26 | 833-0018 | FILTER COVER | 1 |
| 27 | 833-0097 | NUT M8 | 2 |
| 28 | 11667 | FLAT WASHER M8 | 2 |
| 29 | 833-0084 | SEAL WASHER M8 | 2 |
| 30 | 833-0124 | WAND HOLDER | 2 |

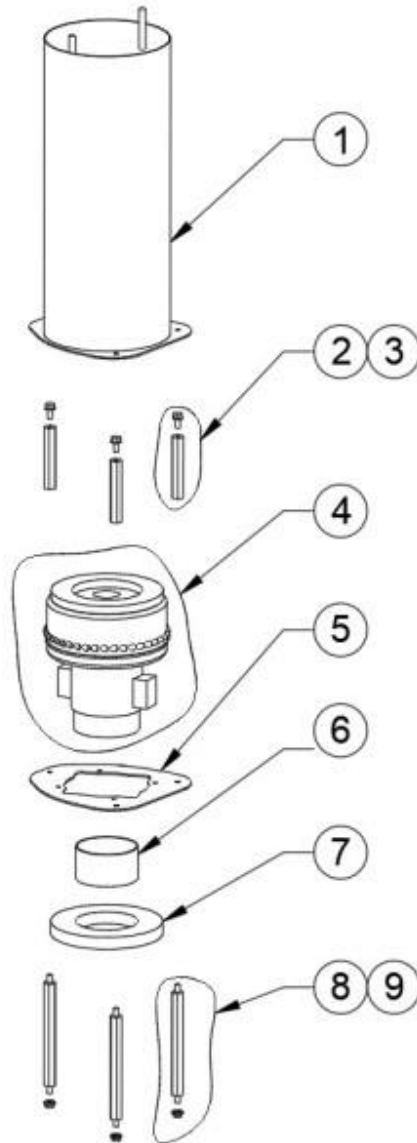
PARTS LIST 2: HD1 Wagon Assembly



PARTS LIST 2: HD1 Wagon Assembly

| Item No. | Part Number | Description | Qty. |
|----------|-------------|----------------------|------|
| 1 | 833-0015 | HD1 WAGON FRAME BASE | 2 |
| 2 | 833-0068 | FRONT WHEEL KIT | 2 |
| 3 | 833-0059 | REAR WHEEL KIT | 1 |
| 4 | 833-0040 | HD1 HANDLE KIT | 1 |
| 5 | 11922 | HHCS, M6-1.0 x 70mm | 1 |
| 6 | 50622 | LOCKNUT, M6-1.0 | 1 |
| 7 | 14447 | WASHER, M6 | 1 |
| 8 | 833-0082 | PLASTIC INSERT 25X25 | 1 |
| 9 | 833-0061 | HD1 TANK HOLDER KIT | 1 |

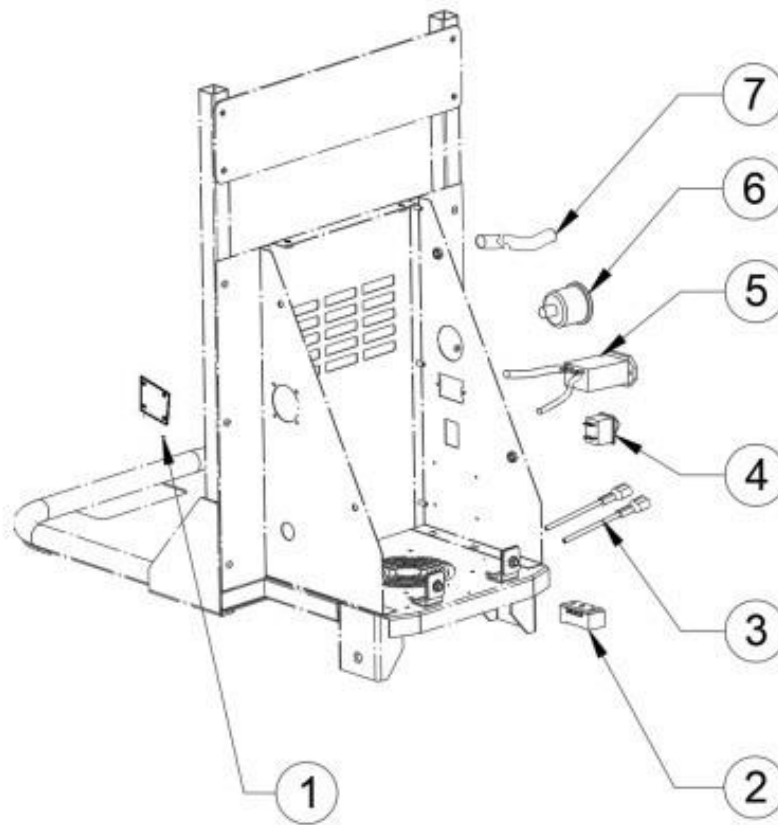
PARTS LIST 3: HD1 Motor Assembly



PARTS LIST 3: HD1 Motor Assembly

| Item No. | Part Number | Description | Qty. |
|----------|-------------|-----------------------------|------|
| 1 | 833-0019 | HEPA CHAMBER | 1 |
| 2 | 14446 | HHCS M6-1.0 X 12MM | 3 |
| 3 | 833-0100 | FEMALE SPACER L76.5 | 3 |
| 4 | 833-0006 | ELECTRIC MOTOR, 1.2 KW 120V | 1 |
| 5 | 833-0020 | MOTOR SUPPORT | 1 |
| 6 | - | ACRYLIC TUBE | 1 |
| 7 | 833-0109 | FOAM DISC | 1 |
| 8 | - | MALE SPACER L128.5 | 3 |
| 9 | 10069 | NUT M6 | 3 |

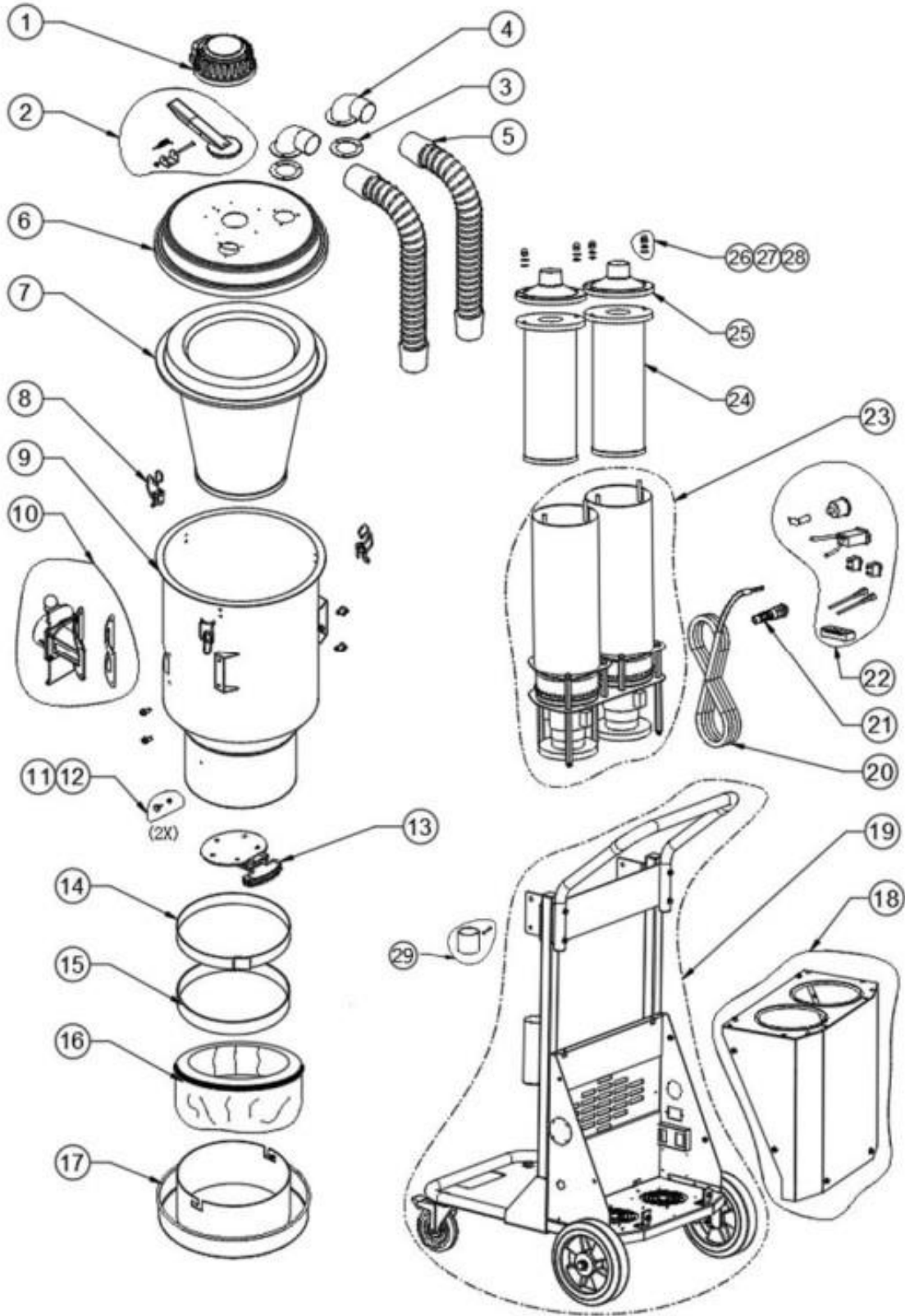
PARTS LIST 4: HD1 Electrical Components



PARTS LIST 4: HD1 Electrical Components

| Item No. | Part Number | Description | Qty. |
|----------|-------------|---------------------------|------|
| 1 | 833-0075 | COVER PLATE | 1 |
| 2 | 833-0076 | TERMINAL BLOCK TB1503 KIT | 1 |
| 3 | - | WIRING CABLE KIT | 1 |
| 4 | 833-0073 | POWER SWITCH KIT | 1 |
| 5 | 833-0074 | HOUR COUNTER KIT | 1 |
| 6 | 833-0044 | MANOMETER KIT | 1 |
| 7 | - | AIR PIPE PVC D6x130 | 1 |

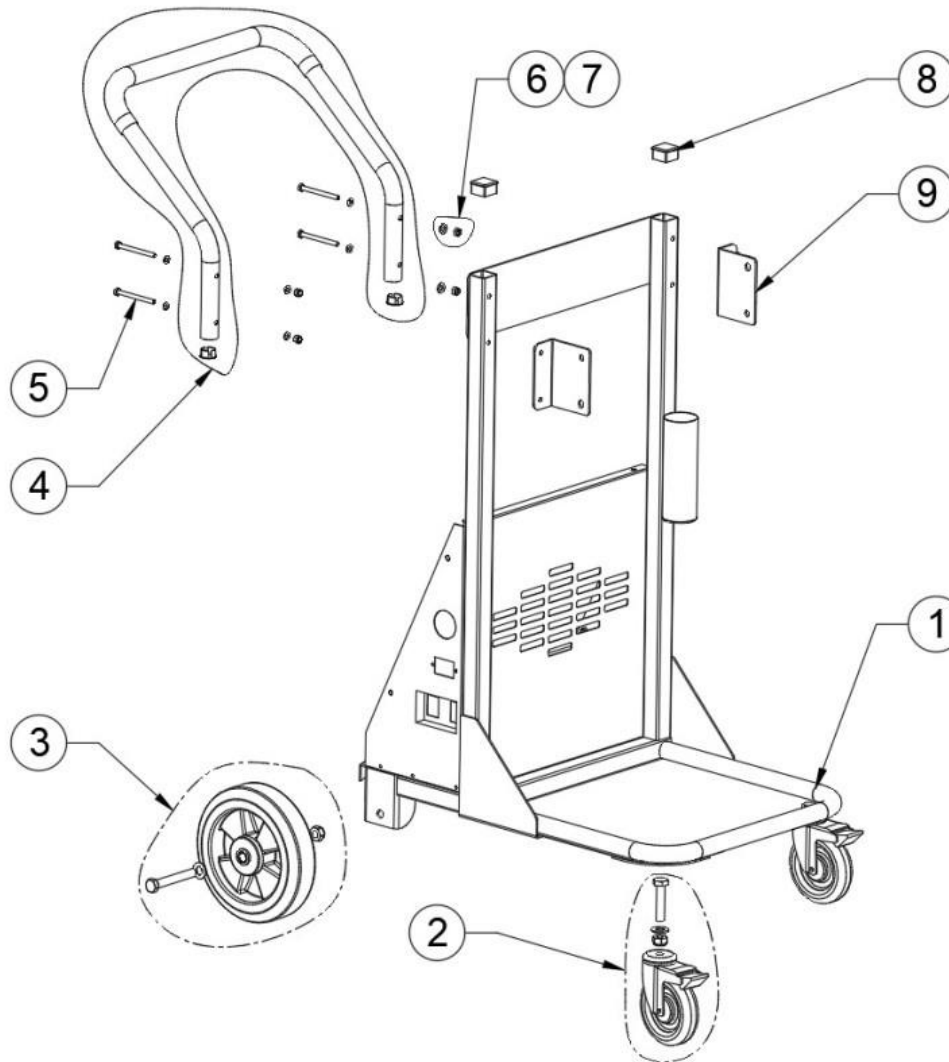
PARTS LIST 5: HD2 Exploded View



PARTS LIST 5: HD2 Exploded View

| Item No. | Part Number | Description | Qty. |
|----------|-------------|------------------------------------------|------|
| 1 | 833-0060 | PURGE HANDLE COVER KIT | 1 |
| 2 | 833-0030 | PURGE HANDLE KIT | 1 |
| 3 | 833-0080 | BEND CONNECTOR SEAL | 2 |
| 4 | 833-0011 | D50 BEND CONNECTOR | 2 |
| 5 | 833-0087 | HOSE D50X560 WITH FITTINGS | 2 |
| 6 | 833-0021 | HD2 TOP COVER | 1 |
| 7 | 833-0002 | HD2 MAIN FILTER | 1 |
| 8 | 833-0036 | HOOK 95 KIT | 3 |
| 9 | 833-0022 | HD2 PRE-FILTER CHAMBER | 1 |
| 10 | 833-0045 | D70 INLET ASSEMBLY | 1 |
| 11 | 833-0107 | KEY M5 | 2 |
| 12 | 30843 | LOCKNUT M5 | 2 |
| 13 | 833-0032 | FLAP ASSEMBLY | 1 |
| 14 | 833-0110 | PACKING BELT | 1 |
| 15 | 833-0085 | ANTI-SKIT RING | 1 |
| 16 | 833-0005 | DROP-DOWN BAG | 1 |
| 17 | 833-0012 | DROP-DOWN BAG HOLDER | 1 |
| 18 | - | HD2 MOTOR CHAMBER COVER KIT | 1 |
| 19 | 833-0034 | HD2 WAGON FRAME ASSEMBLY | 1 |
| 20 | 833-0065 | HD2 120V ELECTRICAL CORD SET | 1 |
| 21 | 833-0101 | CABLE STRAIN RELIEF | 1 |
| 22 | - | ELECTRONIC COMPONENTS (SEE PARTS LIST 8) | 1 |
| 23 | 833-0063 | HD2 120V MOTOR ASSEMBLY | 1 |
| 24 | 833-0004 | HEPA FILTER | 1 |
| 25 | 833-0018 | FILTER COVER | 1 |
| 26 | 833-0097 | NUT M8 | 4 |
| 27 | 11667 | FLAT WASHER M8 | 4 |
| 28 | 833-0084 | SEAL WASHER M8 | 4 |
| 29 | 833-0124 | WAND HOLDER | 2 |

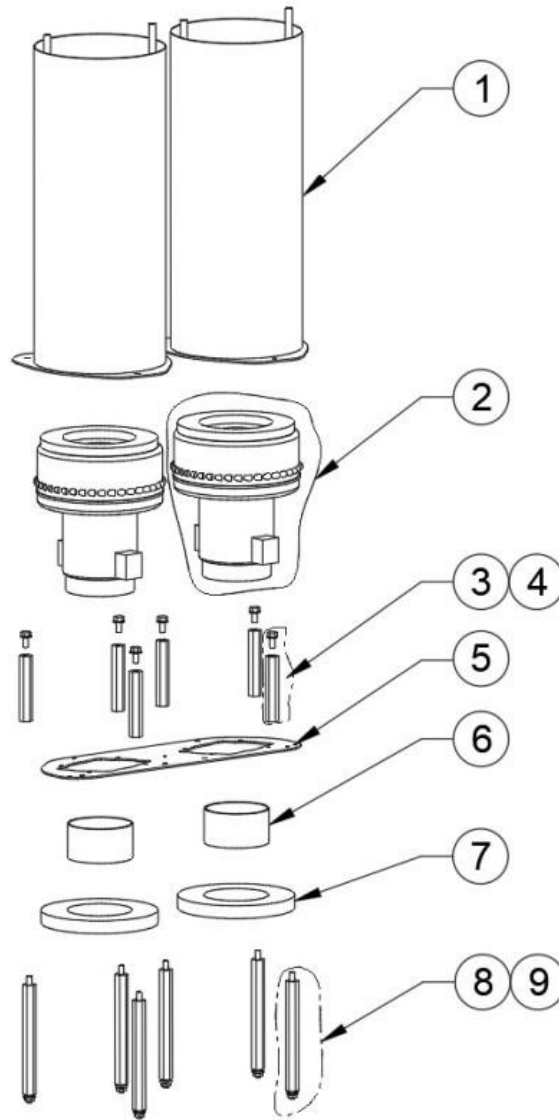
PARTS LIST 6: HD2 Wagon Assembly



PARTS LIST 6: HD2 Wagon Assembly

| Item No. | Part Number | Description | Qty. |
|----------|-------------|----------------------|------|
| 1 | 833-0016 | HD2 WAGON FRAME BASE | 1 |
| 2 | 833-0068 | FRONT WHEEL KIT | 2 |
| 3 | 833-0059 | REAR WHEEL KIT | 2 |
| 4 | 833-0048 | HD2 HANDLE KIT | 1 |
| 5 | 11922 | HHCS, M6-1.0 x 70mm | 4 |
| 6 | 50622 | LOCKNUT, M6-1.0 | 4 |
| 7 | 14447 | WASHER, M6 | 8 |
| 8 | 833-0083 | INSERT, 30x30 | 2 |
| 9 | 833-0062 | HD2 TANK HOLDER KIT | 2 |

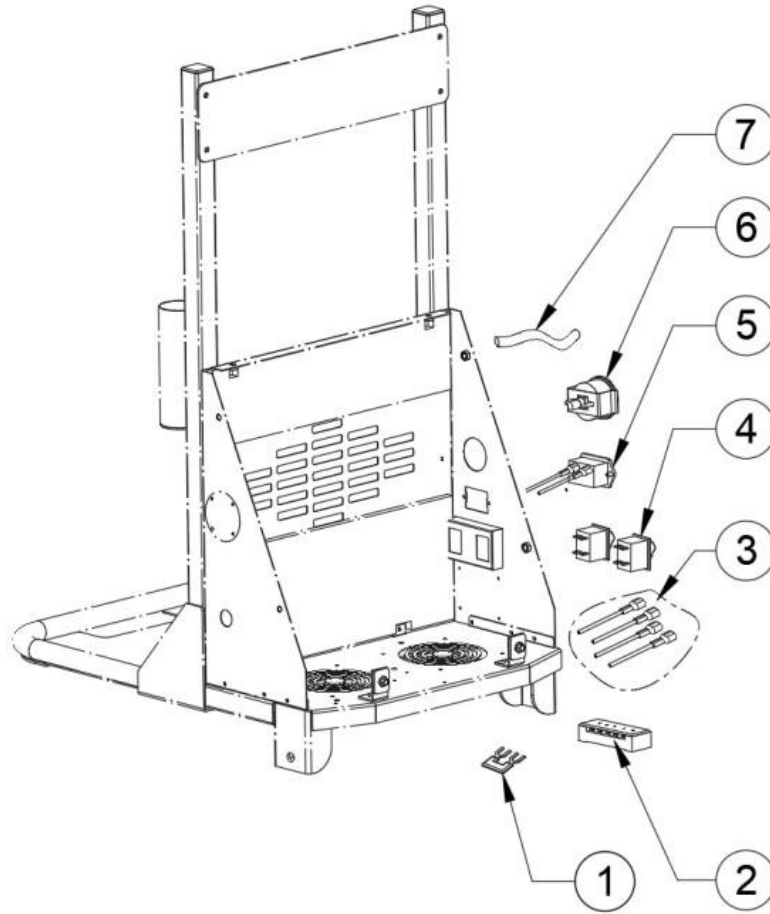
PARTS LIST 7: HD2 Motor Assembly



PARTS LIST 7: HD2 Motor Assembly

| Item No. | Part Number | Description | Qty. |
|----------|-------------|-----------------------------|------|
| 1 | 833-0019 | HEPA CHAMBER | 2 |
| 2 | 833-0006 | ELECTRIC MOTOR, 1.2 KW 120V | 2 |
| 3 | 14446 | HHCS M6-1.0 X 12MM | 6 |
| 4 | 833-0100 | FEMALE SPACER L76.5 | 6 |
| 5 | 833-0020 | MOTOR SUPPORT | 2 |
| 6 | - | ACRYLIC TUBE | 2 |
| 7 | 833-0109 | FOAM DISC | 2 |
| 8 | - | MALE SPACER L128.5 | 6 |
| 9 | 10069 | NUT M6 | 6 |

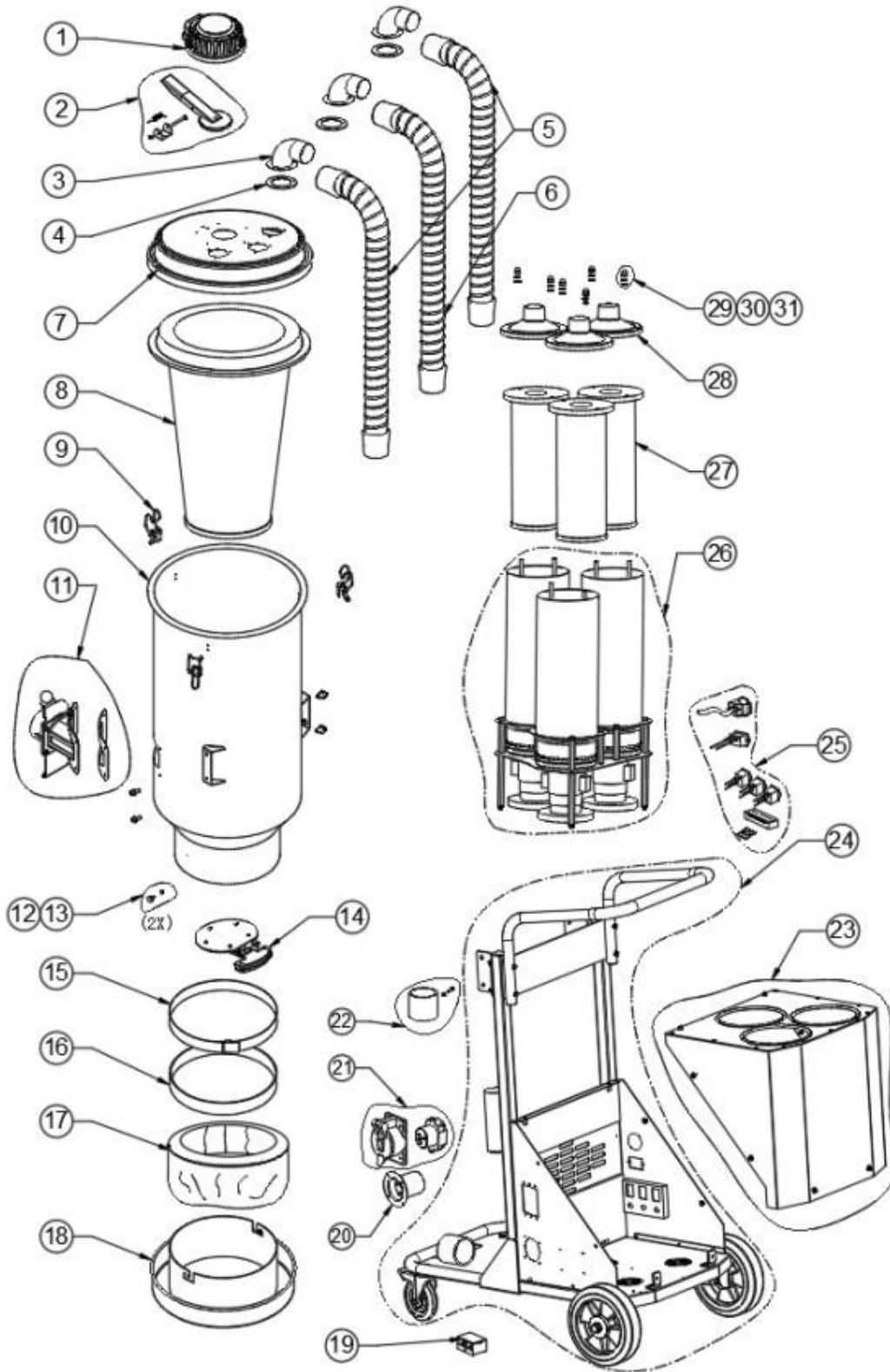
PARTS LIST 8: HD2 Electrical Components



PARTS LIST 8: HD2 Electrical Components

| Item No. | Part Number | Description | Qty. |
|----------|-------------|---------------------------|------|
| 1 | 833-0111 | U BYPASS TB2502 | 1 |
| 2 | 833-0077 | TERMINAL BLOCK TB2505 KIT | 1 |
| 3 | - | WIRING CABLE KIT | 1 |
| 4 | 833-0073 | POWER SWITCH KIT | 2 |
| 5 | 833-0074 | HOUR COUNTER KIT | 1 |
| 6 | 833-0044 | MANOMETER KIT | 1 |
| 7 | - | AIR PIPE PVC D6x130 | 1 |

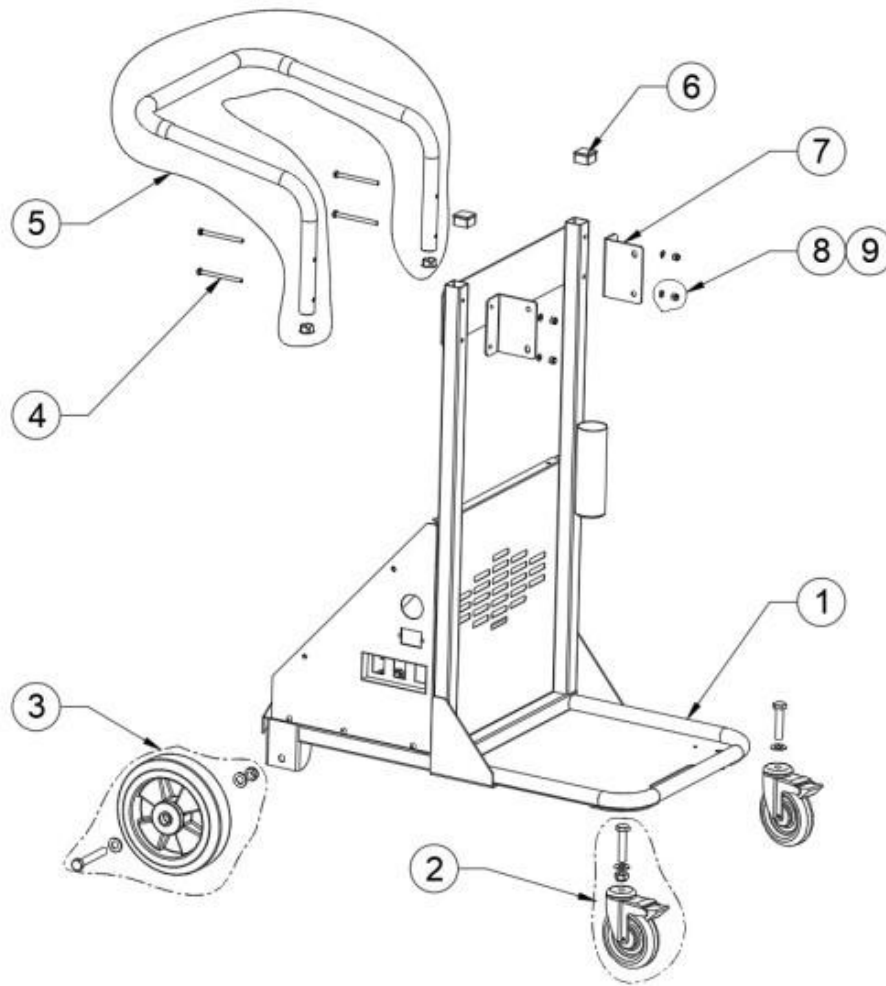
PARTS LIST 9: HD3 240v Exploded View



PARTS LIST 9: HD3 240v Exploded View

| Item No. | Part Number | Description | Qty. |
|----------|-------------|-------------------------------------------|------|
| 1 | 833-0060 | PURGE HANDLE COVER KIT | 1 |
| 2 | 833-0030 | PURGE HANDLE KIT | 1 |
| 3 | 833-0011 | D50 BEND CONNECTOR | 3 |
| 4 | 833-0080 | BEND CONNECTOR SEAL | 3 |
| 5 | 833-0088 | HOSE D50X750 WITH FITTINGS | 2 |
| 6 | 833-0089 | HOSE D50X800 WITH FITTINGS | 1 |
| 7 | 833-0023 | HD3 TOP COVER | 1 |
| 8 | 833-0003 | HD3 MAIN FILTER | 1 |
| 9 | 833-0036 | HOOK 95 KIT | 3 |
| 10 | 833-0024 | HD3 PRE-FILTER CHAMBER | 1 |
| 11 | 833-0045 | D70 INLET ASSEMBLY | 1 |
| 12 | 833-0107 | KEY M5 | 2 |
| 13 | 30843 | LOCKNUT M5 | 2 |
| 14 | 833-0032 | FLAP ASSEMBLY | 1 |
| 15 | 833-0110 | PACKING BELT | 1 |
| 16 | 833-0085 | ANTI-SKIT RING | 1 |
| 17 | 833-0005 | DROP-DOWN BAG | 1 |
| 18 | 833-0012 | DROP-DOWN BAG HOLDER | 1 |
| 19 | - | TERMINAL BLOCK TC602 | 1 |
| 20 | 54CS8275 | FLANGED INLET, 50A | 1 |
| 21 | 54CS8269 | RECEPTACLE, 50A (WITHOUT LIFT COVER) | 1 |
| | 54HBL7774WO | LIFT COVER FOR 50A TWIST LK | 1 |
| | 54HBL2620SW | RECEPTACLE KIT, 30A (WITH LIFT COVER) | 1 |
| 22 | 833-0124 | WAND HOLDER | 2 |
| 23 | - | HD3 MOTOR CHAMBER COVER KIT | 1 |
| 24 | 833-0035 | HD3 WAGON FRAME ASSEMBLY | 1 |
| 25 | - | ELECTRONIC COMPONENTS (SEE PARTS LIST 12) | 1 |
| 26 | 833-0064 | HD3 230V MOTOR ASSEMBLY | 1 |
| 27 | 833-0004 | HEPA FILTER | 3 |
| 28 | 833-0018 | FILTER COVER | 3 |
| 29 | 833-0097 | NUT M8 | 6 |
| 30 | 11667 | FLAT WASHER M8 | 6 |
| 31 | 833-0084 | SEAL WASHER M8 | 6 |

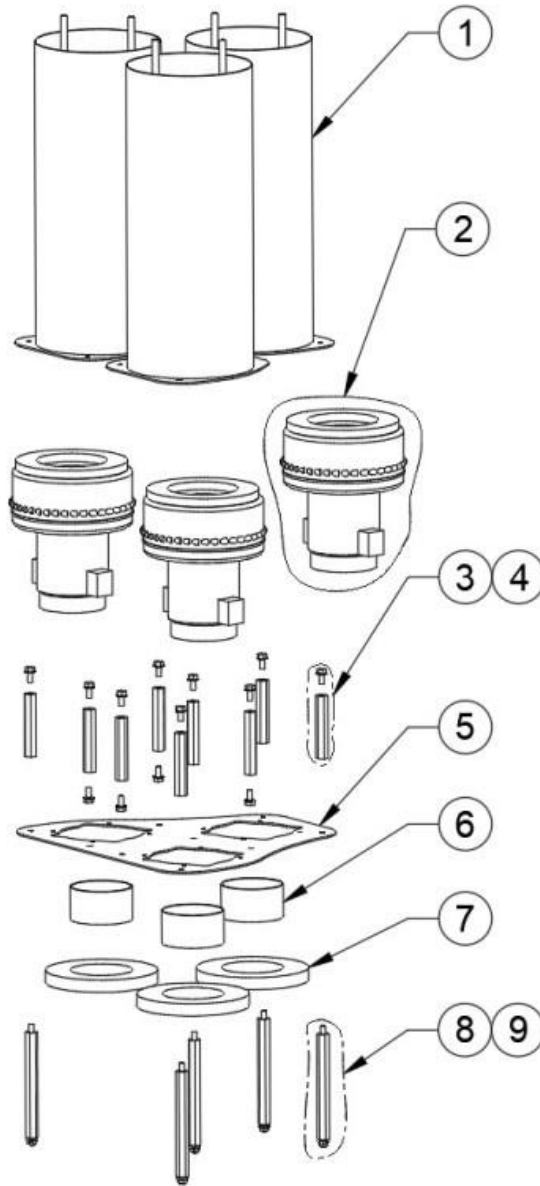
PARTS LIST 10: HD3 240v Wagon Frame Breakdown



PARTS LIST 10: HD3 240v Wagon Frame Breakdown

| Item No. | Part Number | Description | Qty. |
|----------|-------------|----------------------|------|
| 1 | 833-0016 | HD3 WAGON FRAME BASE | 1 |
| 2 | 833-0068 | FRONT WHEEL KIT | 2 |
| 3 | 833-0059 | REAL WHEEL KIT | 2 |
| 4 | 11922 | HHCS, M6-1.0 x 70mm | 4 |
| 5 | 833-0054 | HD3 HANDLE KIT | 1 |
| 6 | 833-0083 | PLASTIC INSERT 30X30 | 4 |
| 7 | 833-0058 | L BRACKET KIT | 4 |
| 8 | 50622 | LOCKNUT, M6-1.0 | 4 |
| 9 | 14447 | WASHER, M6 | 8 |

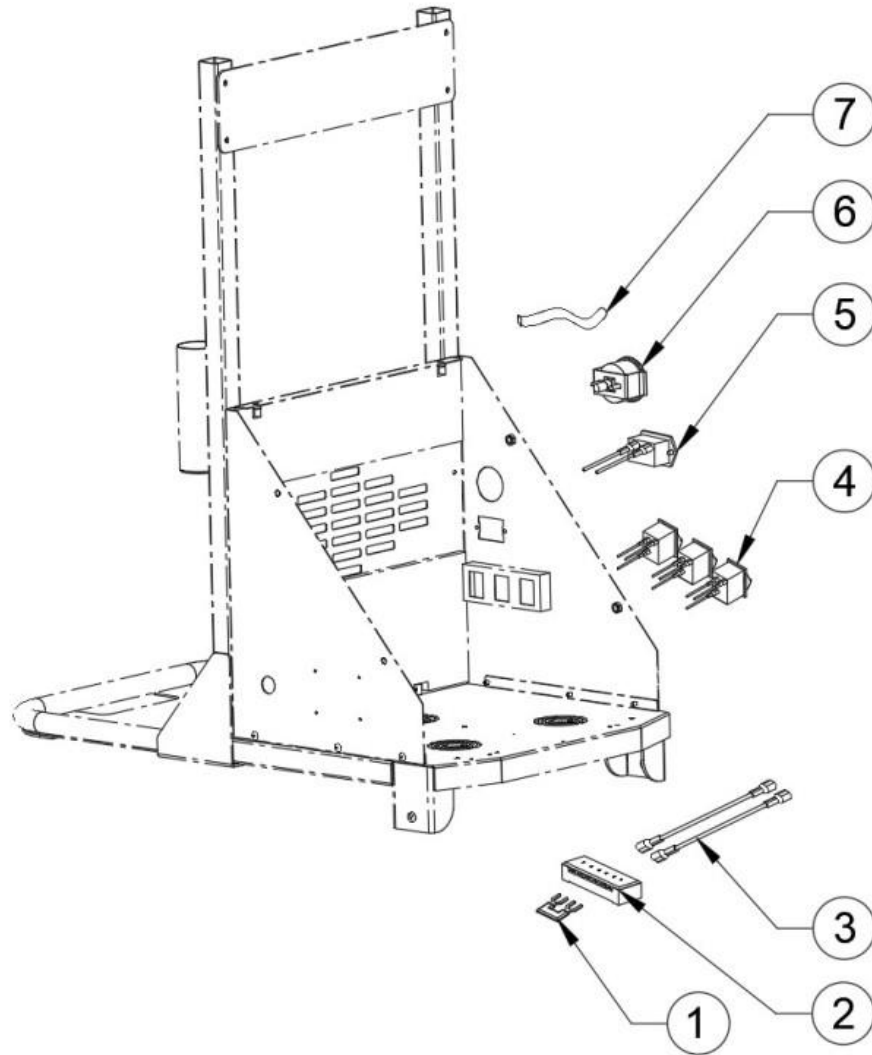
PARTS LIST 11: HD3 240v Motor Assembly



PARTS LIST 11: HD3 240v Motor Assembly

| Item No. | Part Number | Description | Qty. |
|----------|-------------|-----------------------------|------|
| 1 | 833-0019 | HEPA CHAMBER | 3 |
| 2 | 833-0007 | ELECTRIC MOTOR, 1.2 KW 230V | 3 |
| 3 | 14446 | HHCS M6-1.0 x 12MM | 9 |
| 4 | 833-0100 | FEMALE SPACER L76.5 | 9 |
| 5 | 833-0020 | MOTOR SUPPORT | 3 |
| 6 | - | ACRYLIC TUBE | 3 |
| 7 | 833-0109 | FOAM DISC | 3 |
| 8 | - | MALE SPACER L128.5 | 9 |
| 9 | 10069 | NUT M6 | 9 |

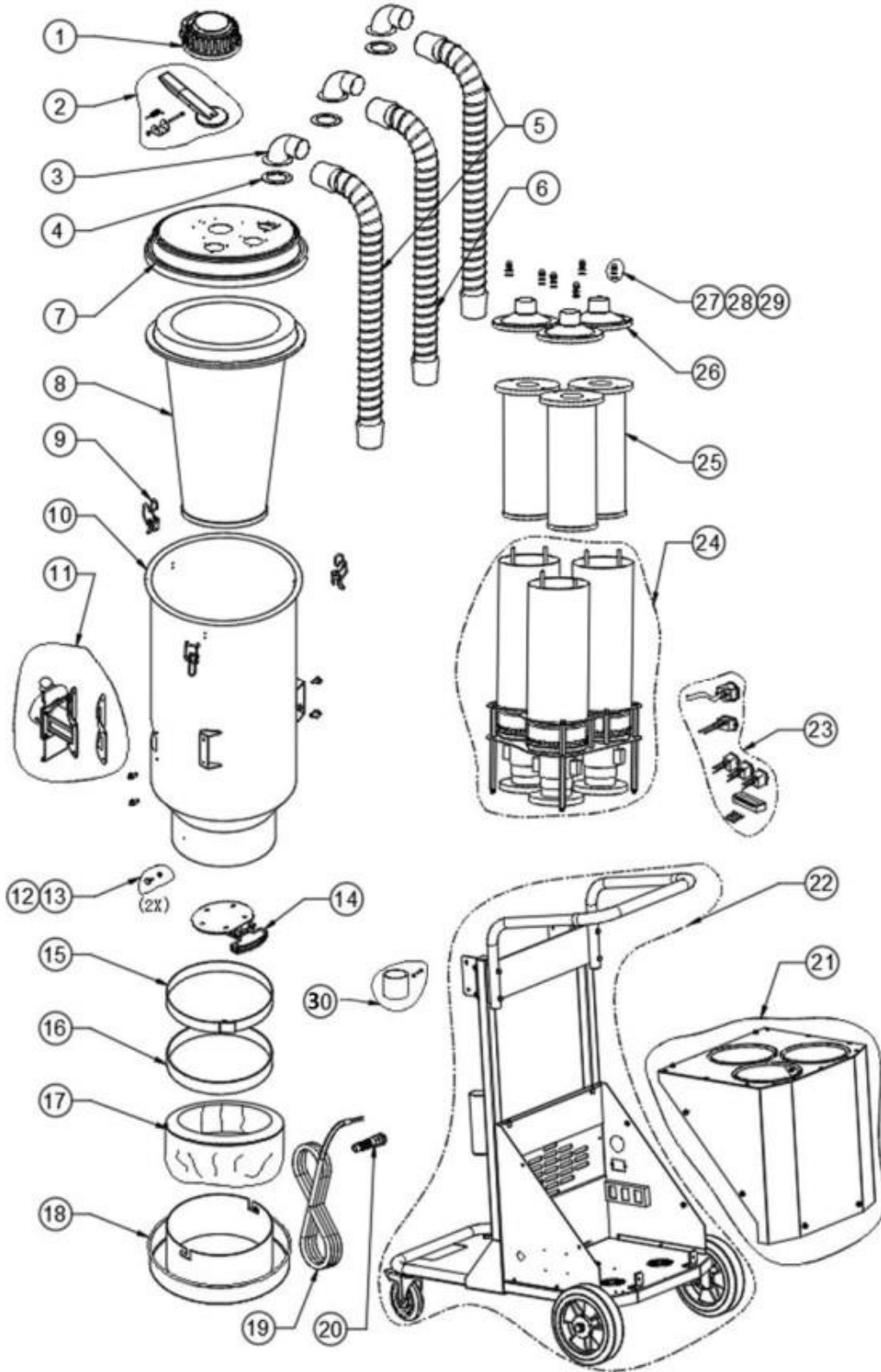
PARTS LIST 12: HD3 240v Wagon Frame Breakdown



PARTS LIST 12: HD3 240v Wagon Frame Breakdown

| Item No. | Part Number | Description | Qty. |
|----------|-------------|---------------------------|------|
| 1 | 833-0111 | U BYPASS TB2502 | 1 |
| 2 | 833-0072 | TERMINAL BLOCK TB2506 KIT | 1 |
| 3 | - | WIRING CABLE KIT | 1 |
| 4 | 833-0073 | POWER SWITCH | 3 |
| 5 | 833-0074 | HOUR COUNTER | 1 |
| 6 | 833-0044 | MANOMETER KIT | 1 |
| 7 | - | AIR PIPE PVC D6x155 | 1 |

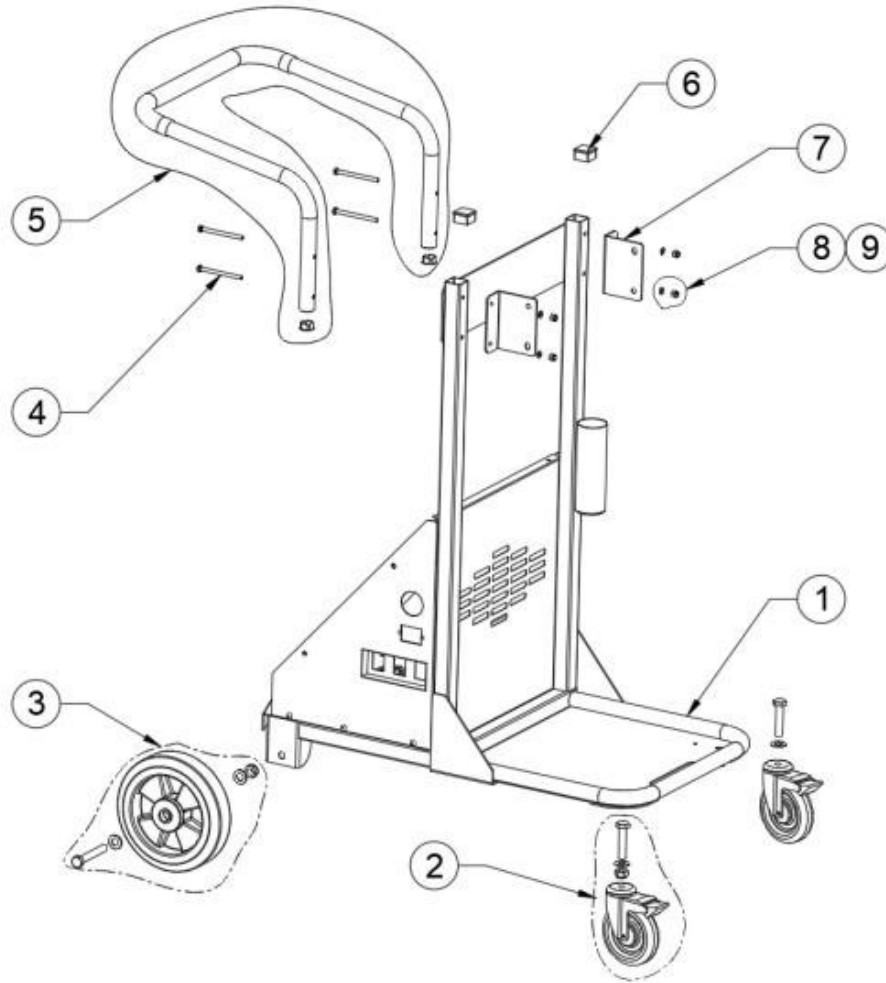
PARTS LIST 13: HD3 120v Exploded View



PARTS LIST 13: HD3 120v Exploded View

| Item No. | Part Number | Description | Qty. |
|----------|-------------|-------------------------------------------|------|
| 1 | 833-0060 | PURGE HANDLE COVER KIT | 1 |
| 2 | 833-0030 | PURGE HANDLE KIT | 1 |
| 3 | 833-0011 | D50 BEND CONNECTOR | 3 |
| 4 | 833-0080 | BEND CONNECTOR SEAL | 3 |
| 5 | 833-0088 | HOSE D50X750 WITH FITTINGS | 2 |
| 6 | 833-0089 | HOSE D50X800 WITH FITTINGS | 1 |
| 7 | 833-0023 | HD3 TOP COVER | 1 |
| 8 | 833-0003 | HD3 MAIN FILTER | 1 |
| 9 | 833-0036 | HOOK 95 KIT | 3 |
| 10 | 833-0024 | HD3 PRE-FILTER CHAMBER | 1 |
| 11 | 833-0045 | D70 INLET ASSEMBLY | 1 |
| 12 | 833-0107 | KEY M5 | 2 |
| 13 | 30843 | LOCKNUT M5 | 2 |
| 14 | 833-0032 | FLAP ASSEMBLY | 1 |
| 15 | 833-0110 | PACKING BELT | 1 |
| 16 | 833-0085 | ANTI-SKIT RING | 1 |
| 17 | 833-0005 | DROP-DOWN BAG | 1 |
| 18 | 833-0012 | DROP-DOWN BAG HOLDER | 1 |
| 19 | 833-0065 | HD3 120V ELECTRICAL CORD SET | 1 |
| 20 | 833-0101 | CABLE STRAIN RELIEF | 1 |
| 21 | - | HD3 MOTOR CHAMBER COVER KIT | 1 |
| 22 | 833-0035 | HD3 WAGON FRAME ASSEMBLY | 1 |
| 23 | - | ELECTRONIC COMPONENTS (SEE PARTS LIST 12) | 1 |
| 24 | - | HD3 120V MOTOR ASSEMBLY | 1 |
| 25 | 833-0004 | HEPA FILTER | 3 |
| 26 | 833-0018 | FILTER COVER | 3 |
| 27 | 833-0097 | NUT M8 | 6 |
| 28 | 11667 | FLAT WASHER M8 | 6 |
| 29 | 833-0084 | SEAL WASHER M8 | 6 |
| 30 | 833-0124 | WAND HOLDER | 2 |

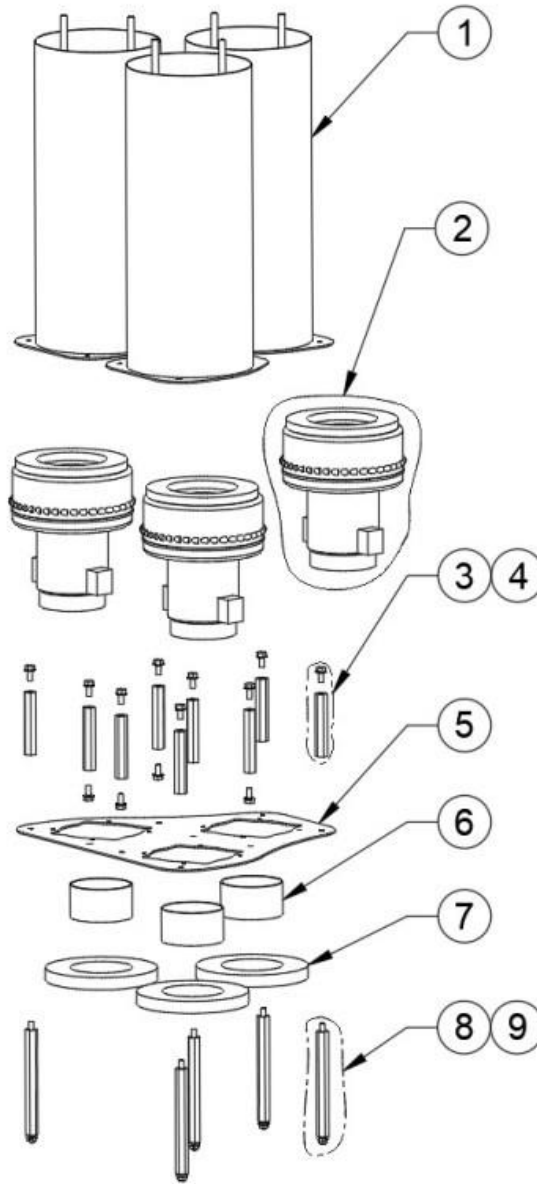
PARTS LIST 14: HD3 120v Wagon Frame Breakdown



PARTS LIST 14: HD3 120v Wagon Frame Breakdown

| Item No. | Part Number | Description | Qty. |
|----------|-------------|----------------------|------|
| 1 | 833-0016 | HD3 WAGON FRAME BASE | 1 |
| 2 | 833-0068 | FRONT WHEEL KIT | 2 |
| 3 | 833-0059 | REAL WHEEL KIT | 2 |
| 4 | 11922 | HHCS, M6-1.0 x 70mm | 4 |
| 5 | 833-0054 | HD3 HANDLE KIT | 1 |
| 6 | 833-0083 | PLASTIC INSERT 30X30 | 4 |
| 7 | 833-0058 | L BRACKET KIT | 4 |
| 8 | 50622 | LOCKNUT, M6-1.0 | 4 |
| 9 | 14447 | WASHER, M6 | 8 |

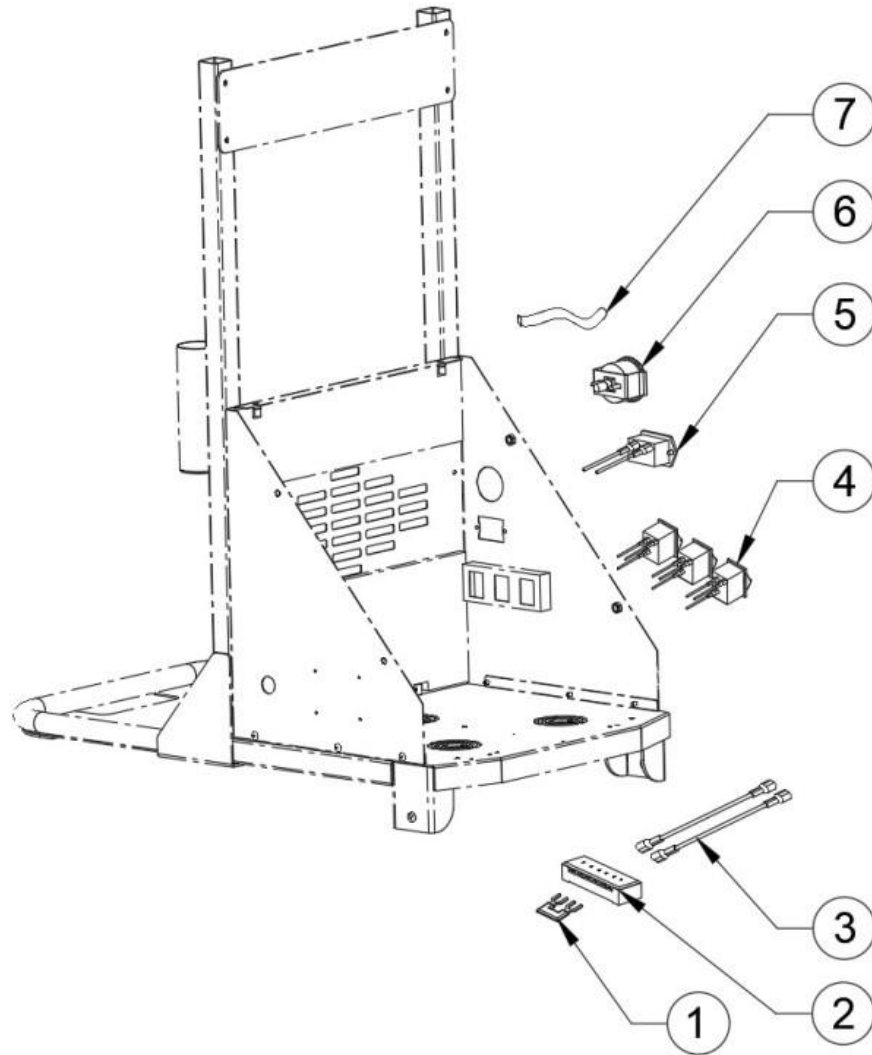
PARTS LIST 15: HD3 120v Motor Assembly



PARTS LIST 15: HD3 120v Motor Assembly

| Item No. | Part Number | Description | Qty. |
|----------|-------------|-----------------------------|------|
| 1 | 833-0019 | HEPA CHAMBER | 3 |
| 2 | 833-0122 | ELECTRIC MOTOR, 0.8 KW 120V | 3 |
| 3 | 14446 | HHCS M6-1.0 x 12MM | 9 |
| 4 | 833-0100 | FEMALE SPACER L76.5 | 9 |
| 5 | 833-0020 | MOTOR SUPPORT | 3 |
| 6 | - | ACRYLIC TUBE | 3 |
| 7 | 833-0109 | FOAM DISC | 3 |
| 8 | 833-0106 | MALE SPACER L128.5 | 9 |
| 9 | 10069 | NUT M6 | 9 |

PARTS LIST 16: HD3 120v Wagon Frame Breakdown



PARTS LIST 16: HD3 120v Wagon Frame Breakdown

| Item No. | Part Number | Description | Qty. |
|----------|-------------|---------------------------|------|
| 1 | 833-0111 | U BYPASS TB2502 | 1 |
| 2 | 833-0072 | TERMINAL BLOCK TB2506 KIT | 1 |
| 3 | - | WIRING CABLE KIT | 1 |
| 4 | 833-0073 | POWER SWITCH | 3 |
| 5 | 833-0074 | HOUR COUNTER | 1 |
| 6 | 833-0044 | MANOMETER KIT | 1 |
| 7 | - | AIR PIPE PVC D6x155 | 1 |

11. Warranty

Innovatech warrants to the original buyer, for a period of one (1) year from the date of delivery, that the Equipment is free from defects in materials and workmanship and that the Equipment conforms to the operating specifications supplied with the Equipment. The foregoing warranty is subject to proper operation and maintenance of the Equipment in accordance with the operating instruction and manual supplied to Buyer with the Equipment.

Warranty claims shall be made by Buyer in writing. Innovatech's sole obligation under the foregoing warranty, where it appears to Innovatech's satisfaction that the defect was present at the time of delivery, is at Innovatech's sole option, to repair, replace or correct any such defect.

EXCEPT AS STATED ABOVE THERE ARE NO WARRANTIES, EXPRESS OR IMPLIED. INNOVATECH EXPRESSLY DISCLAIMS ANY WARRANTY, EXPRESS OR IMPLIED, THAT EQUIPMENT SOLD HEREUNDER IS OF MERCHANTABLE QUALITY OR THAT IT CAN BE USED FOR OR IS FIT FOR ANY PARTICULAR PURPOSE. ANY DESCRIPTION OF THE EQUIPMENT IN THIS AGREEMENT OR IN MANUALS, BROCHURES OR LITERATURE AND ANY USE OF ANY SAMPLE, MODEL OR PROTOTYPE OF THE EQUIPMENT IS FOR THE SOLE PURPOSE OF IDENTIFYING OR ILLUSTRATING THE EQUIPMENT, IS NOT PART OF THE BASIS OF THE AGREEMENT BETWEEN INNOVATECH AND BUYER, AND DOES NOT CONSTITUTE A WARRANTY THAT THE EQUIPMENT, AS SUPPLIED, WILL CONFORM TO ANY DESCRIPTION OR TO ANY SAMPLE, MODEL OR PROTOTYPE. INNOVATECH DISCLAIMS ANY WARRANTY RESPECTING OPERATING CAPACITY OR CAPABILITY OF THE EQUIPMENT OR THE ABILITY OF THE EQUIPMENT TO MEET ANY PARTICULAR NEEDS OF THE BUYER. THE EQUIPMENT IS POWERED TO OPERATE AS STATED IN THE OPERATING SPECIFICATIONS SUPPLIED WITH THE EQUIPMENT, BUT IT IS UNDERSTOOD AND AGREED TO BUY BUYER THAT ACTUAL OPERATING CAPABILITIES VARY UNDER DIFFERENT OPERATING CONDITIONS FOR WHICH INNOVATECH CAN ASSUME NO RESPONSIBILITY.

BUYER'S EXCLUSIVE REMEDY FOR CLAIMS ARISING UNDER THIS AGREEMENT SHALL BE FOR REPAIR OR, AT INNOVATECH'S SOLE OPTION, REPLACEMENT OF ANY ITEM OF DEFECTIVE EQUIPMENT. INNOVATECH'S LIABILITY FOR ANY LOSSES OR DAMAGE, WHETHER ON ACCOUNT OF NEGLIGENCE, BREACH, AND WARRANTY OR OTHERWISE SHALL IN NO EVENT EXCEED THE PURCHASE PRICE OF THE PARTICULAR ITEM OF EQUIPMENT WITH RESPECT TO WHICH SUCH LOSSES OR DAMAGE OCCURRED.

IN NO EVENT WILL INNOVATECH BE LIABLE FOR ANY DAMAGES CAUSED BY BUYER'S FAILURE TO PERFORM BUYER'S RESPONSIBILITIES, OR FOR ANY LOST PROFITS, LOST PRODUCTION, LOSS OF ANTICIPATED PROFITS OF OTHER INCIDENTAL OR CONSEQUENTIAL DAMAGES, EVEN IF INNOVATECH HAS BEEN ADVISED OF THE POSSIBILITY OF SUCH DAMAGES.

IN NO EVENT WILL INNOVATECH BE LIABLE FOR ANY DAMAGES RESULTING FROM ANY CLAIM AGAINST BUYER BY ANY OTHER PARTY.

FACTORY SERVICE

A warranty will not be valid unless a written claim authorization comes with returned parts. Innovatech will not provide for any shipping costs for items returned for repair. To obtain warranty repairs, buyer must prepay shipment and return all warranty parts to Innovatech. Damage occurring during shipment is deemed the responsibility of the carrier and claims should be made directly with such carrier.

It will be the customer's responsibility to pay for any non-warranty replacement parts plus the current hourly labor rates for any work done on any machine or part. Service is available upon request; call Innovatech for current labor rates.

CONTRACTOR PROVEN EQUIPMENT SINCE 1946



170 Traders Blvd E
Mississauga, ON L4Z 1W7
Canada

4701 Allmond Avenue
Louisville, KY 40209
United States

200 Commerce Drive
Freehold, NJ 07728
United States

Honeyholes Lane
Dunholme, Lincoln LN2 3SU
United Kingdom



BartellGlobal.com