



**BARTELL
GLOBAL**

**PARTS
BOOK**

POWER SPRAYER

S151/S201



Doc. # PB-B19032
Orig. Rel. – 00/2016
Curr Rev. – 02

www.BartellGlobal.com

CANADA

170 Traders Blvd E
Mississauga, Ontario L4Z 1W7
TEL (647) 953-4100 FAX (647) 953-4101

KENTUCKY

4701 Allmond Ave
Louisville, Kentucky 40209
TEL (425) 405-9100 FAX (425) 405-9101

UK

Honeyholes Lane
Dunholme, Lincoln, UK LN2 3SU
TEL 01673 860709 FAX 01673 861119

NEW JERSEY

200 Commerce Drive, Unit A
Freehold, New Jersey 07728
TEL (848) 225-8100 FAX (848) 225-8101

**ORIGINAL LANGUAGE OPERATING MANUAL FOR
BARTELL RIDE-ON TROWELS**

© 2024 Bartell Global Inc.

No part of this work may be reproduced or transmitted in any form or by any means, electronic or mechanical, including photocopying and recording, or by any information storage or retrieval system without the prior written permission of Bartell Morrison Inc. unless such copying is permitted by federal copyright laws.

ADDRESS INQUIRIES OR REFERENCE PERMISSIONS CARE OF:

Bartell Global, 170 Traders Blvd E., Mississauga, Ontario, Canada, L4Z 1W7

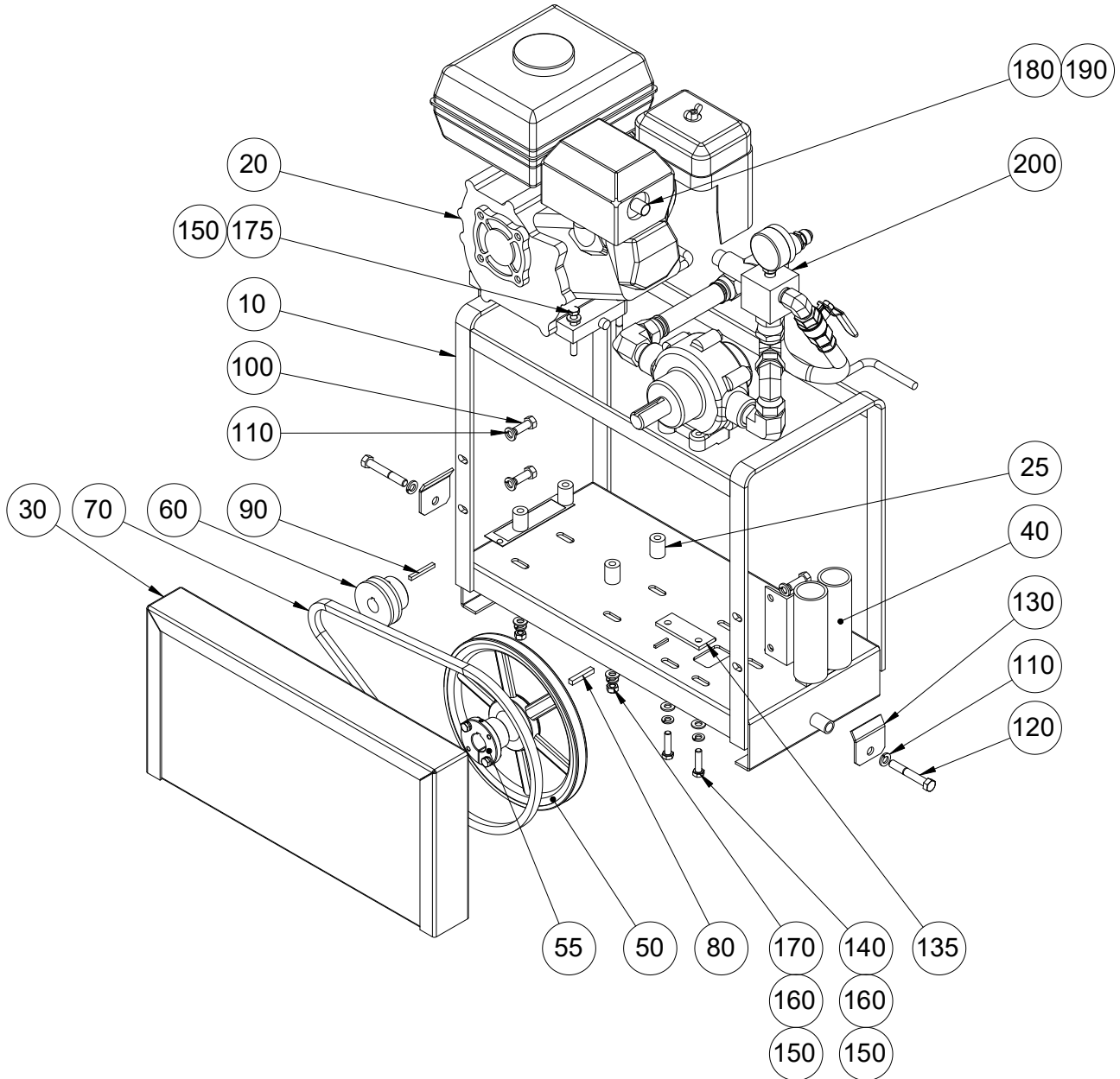
REV.	DATE	DESCRIPTION	APPROVED BY:
01	01/22	Update parts list to show engine options	AN
02	01/24	Updated Logos	AN

TABLE OF CONTENTS

<u>PARTS LIST 1 – POWER SPRAYER</u>	3
PUMP ASSEMBLY: S151	3
PUMP ASSEMBLY: S151 – PARTS LIST 1	4
<u>PARTS LIST 2 – POWER SPRAYER</u>	5
SUBASSEMBLY: S151	5
SUBASSEMBLY: S151 – PARTS LIST 2	6
<u>PARTS LIST 3 – POWER SPRAYER</u>	7
POWER SPRAYER ASSEMBLY: S201	7
POWER SPRAYER ASSEMBLY: S201 – PARTS LIST 3	8
<u>PARTS LIST 4 – POWER SPRAYER</u>	9
SUBASSEMBLY: S201	9
SUBASSEMBLY: S201 – PARTS LIST 4	10
<u>PARTS LIST 5 – POWER SPRAYER</u>	11
SPRAY WAND WITH HOSE ASSEMBLY: S151/S201 (SUBASSEMBLY)	11
SPRAY WAND WITH HOSE ASSEMBLY: S151/S201 – PARTS LIST 5	11
<u>PARTS LIST 6 & 7 – POWER SPRAYER</u>	12
SUCTION/RETURN TUBE WITH HOSE ASSEMBLY: S151/1201 (SUBASSEMBLY)	12
SUCTION TUBE WITH HOSE ASSEMBLY: S151/S201 – PARTS LIST 6	12
RETURN TUBE WITH HOSE ASSEMBLY: S151/S201 – PARTS LIST 7	12
<u>PARTS LIST 8 – POWER SPRAYER</u>	13
HAND CART ASSEMBLY (560060)	13
HAND CART ASSEMBLY (560060) – PARTS LIST 8	13
<u>PARTS LIST 9 – POWER SPRAYER</u>	14
TOW CART ASSEMBLY (560065)	14
TOW CART ASSEMBLY (560060) – PARTS LIST 9	14

PARTS LIST 1 – POWER SPRAYER

PUMP ASSEMBLY: S151

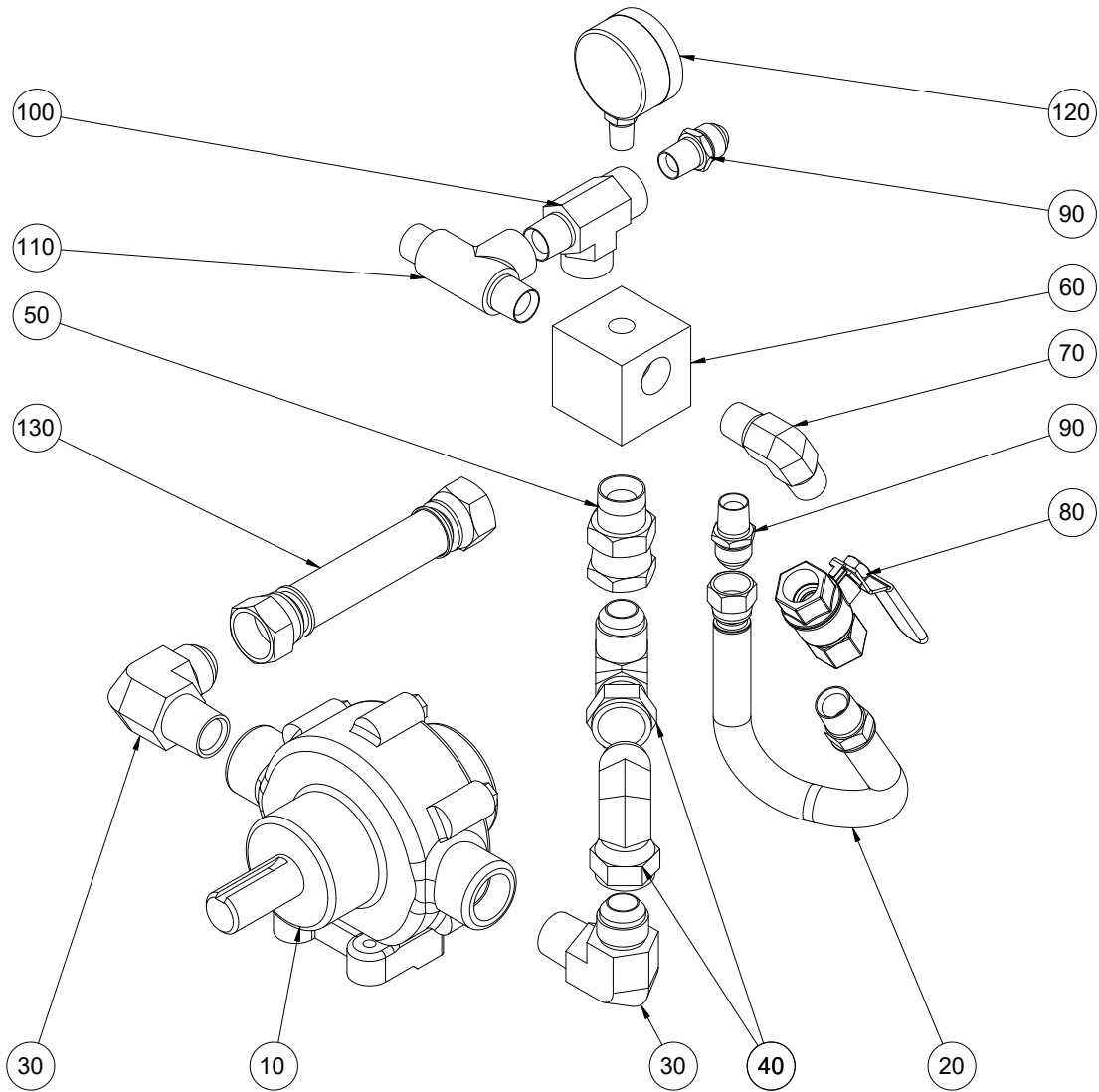


PUMP ASSEMBLY: S151 – PARTS LIST 1

Item #	Part #	Description	QTY	Remarks
10	570012	FRAME, POWER SPRAYER	1	07-16-2009
20	21340	ENGINE, HONDA GX120	1	07-16-2009
	21440	ENGINE, BRIGGS & STRATTON XR550	1	01-01-2022
25	580093	SPACER, 1"	4	07-16-2009
30	570027	BELT GUARD, SPRAYER	1	12-07-2010
40	570017	SUPPORT TUBES	1	07-16-2009
50	580092	PULLEY W/ KEYWAY, LARGE	1	07-16-2009
55	580096	BUSHING, PULLEY	1	07-16-2009
60	50098	PULLEY W/ KEYWAY, SMALL	1	07-16-2009
70	740474	V-BELT	1	07-16-2009
80	12461	KEY, PUMP	1	07-16-2009
90	470625	KEY, ENGINE	1	07-16-2009
100	10507	HHCS, 3/16"-16 X 1" LG.	4	07-16-2009
110	10902	WASHER, LOCK, 3/16"	4	07-16-2009
120	10506	HHCS, 3/16"-16 X 2-1/2" LG.	2	07-16-2009
130	580075	TAB, HOLD DOWN	2	07-16-2009
135	580094	SHIM	1	07-16-2009
140	10407	HHCS, 5/16"-18 X 1-1/4" LG.	2	07-16-2009
150	11586	WASHER, FLAT, 5/16"	8	07-16-2009
160	10402	WASHER, LOCK, 5/16"	6	07-16-2009
170	10915	NUT, HEX, 5/16"-18	4	07-16-2009
175	10140	HHCS, 5/16"-18 X 2-1/2" LG.	4	07-16-2009
180	11112	MUFFLER CAP	1	07-16-2009
190	11115	SCREW, MUFFLER CAP	2	07-16-2009
200	N/A	PUMP SUBASSEMBLY (SEE PG. 10)	1	07-16-2009

PARTS LIST 2 – POWER SPRAYER

SUBASSEMBLY: S151

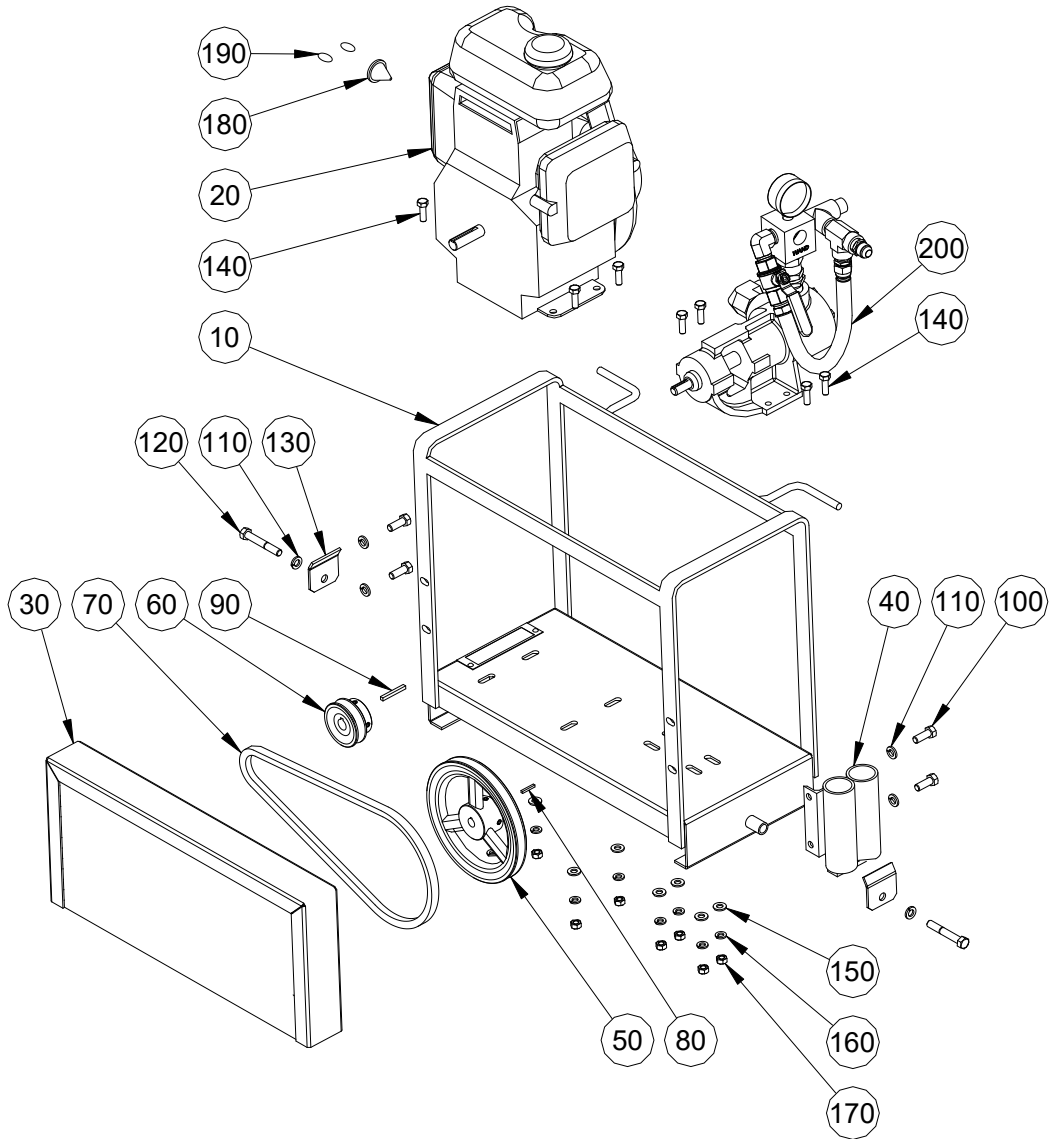


SUBASSEMBLY: S151 – PARTS LIST 2

Item #	Part #	Description	QTY	Remarks
10	760102	PUMP, HYPRO 7560	1	07-16-2009
20	560035	HOSE, BYPASS	1	07-16-2009
30	897317	FITTING, ELBOW, 3/4" MT TO 3/4" MP	2	07-16-2009
40	897318	SWIVEL, ELBOW, 3/4" FT TO 3/4" MP	2	07-16-2009
50	897530	FITTING, SWIVEL, 3/4"MP TO 3/4"FT	1	07-16-2009
60	580080	MANIFOLD, VALVE BLOCK	1	07-16-2009
70	897745	ELBOW, 1/2" MP TO 1/2" MP	1	07-16-2009
80	897765	BALL VALVE, 1/2" MP BRASS	1	07-16-2009
90	897220	FITTING, 1/2" MT TO 1/2" MP	2	07-16-2009
100	897445	RUN TEE, 1/2" MP TO 1/2" FP	1	07-16-2009
110	897760	RELIEF VALVE, ADJUSTABLE	1	07-16-2009
120	897820	GAUGE, 1/4" NPT, 200PSI	1	07-16-2009
130	560036	HOSE, EXTENSION ADAPTER	1	07-16-2009
---	760103	REPAIR KIT	1	07-16-2009

PARTS LIST 3 – POWER SPRAYER

POWER SPRAYER ASSEMBLY: S201

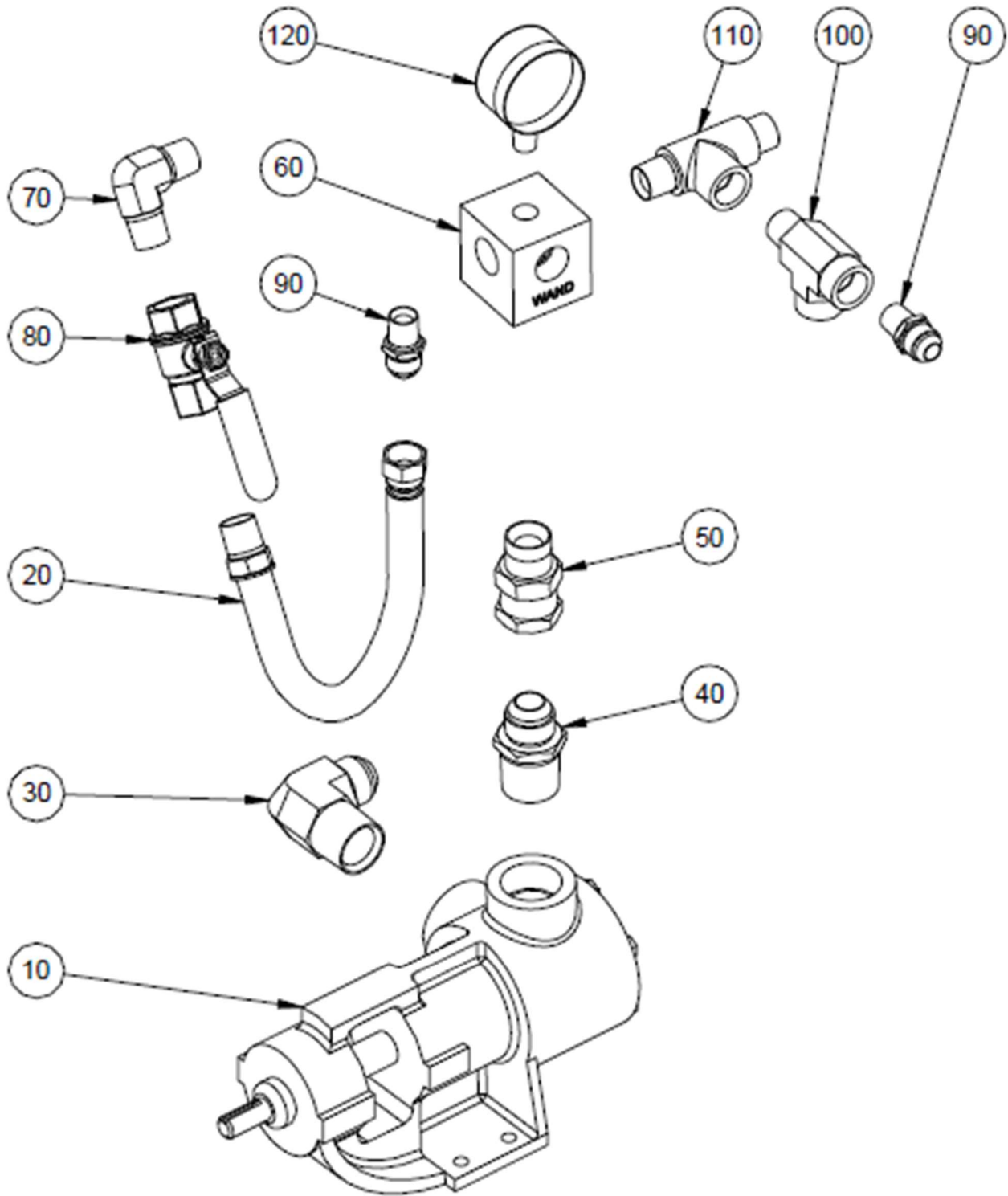


POWER SPRAYER ASSEMBLY: S201 – PARTS LIST 3

Item #	Part #	Description	QTY	Remarks
10	570012	FRAME, POWER SPRAYER	1	05-05-2008
20	21340	ENGINE, HONDA GX120	1	09-03-2009
	21440	ENGINE, BRIGGS & STRATTON XR550	1	01-01-2022
30	570027	BELT GUARD, SPRAYER	1	12-07-2010
40	570017	SUPPORT TUBES	1	12-07-2010
50	580090	PULLEY W/ KEYWAY, LARGE	1	05-05-2008
60	50098	PULLEY W/ KEYWAY, SMALL	1	09-03-2009
70	740472	V-BELT	1	05-05-2008
80	580085	KEY, PUMP	1	05-05-2008
90	470625	KEY, ENGINE	1	05-05-2008
100	10507	HHCS, 3/16"-16 X 1" LG.	4	05-05-2008
110	10902	WASHER, LOCK, 3/16"	6	05-05-2008
120	10506	HHCS, 3/16"-16 X 2-1/2" LG.	2	05-05-2008
130	580075	TAB, HOLD DOWN	2	05-05-2008
140	981035	HHCS, 5/16"-24 X 1" LG.	8	05-05-2008
150	11586	WASHER, FLAT, 5/16"	8	05-05-2008
160	10402	WASHER, LOCK, 5/16"	8	05-05-2008
170	981055	NUT, HEX, 5/16"-24	8	05-05-2008
180	11112	MUFFLER CAP	1	09-03-2009
190	11115	SCREW, MUFFLER CAP	2	09-03-2009
200	N/A	PUMP SUBASSEMBLY (SEE PG. 6)	1	05-05-2008

PARTS LIST 4 – POWER SPRAYER

SUBASSEMBLY: S201

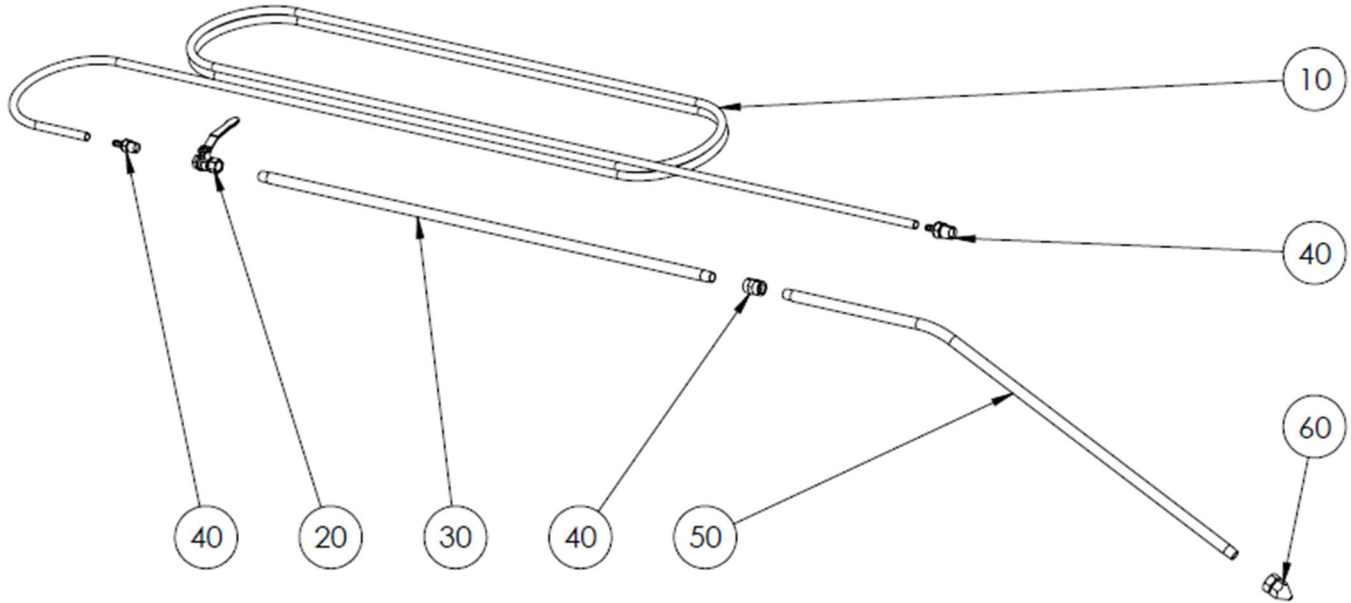


SUBASSEMBLY: S201 – PARTS LIST 4

Item #	Part #	Description	QTY	Remarks
10	760100	PUMP ASSEMBLY, VIKING	1	05-05-2008
20	560035	HOSE, BYPASS	1	05-05-2008
30	897311	ELBOW, 3/4" MT TO 1" MP	1	05-05-2008
40	897310	FITTING, 3/4" MT TO 1" MP	1	05-05-2008
50	897530	FITTING, SWIVEL, 3/4"MP TO 3/4" FT	1	05-05-2008
60	580080	MANIFOLD, VALVE BLOCK	1	05-05-2008
70	897745	ELBOW, 1/2" MP TO 1/2" MP	1	05-05-2008
80	897765	BALL VALVE, 1/2" MP BRASS	1	05-05-2008
90	897220	FITTING, 1/2" MT TO 1/2" MP	2	05-05-2008
100	897445	RUN TEE, 1/2" MP TO 1/2" FP	1	05-05-2008
110	897760	RELIEF VALVE, ADJUSTABLE	1	05-05-2008
120	897820	GAUGE, 1/4" NPT, 200PSI	1	05-05-2008
---	108760	REPAIR KIT	1	05-05-2008

PARTS LIST 5 – POWER SPRAYER

SPRAY WAND WITH HOSE ASSEMBLY: S151/S201 (SUBASSEMBLY)

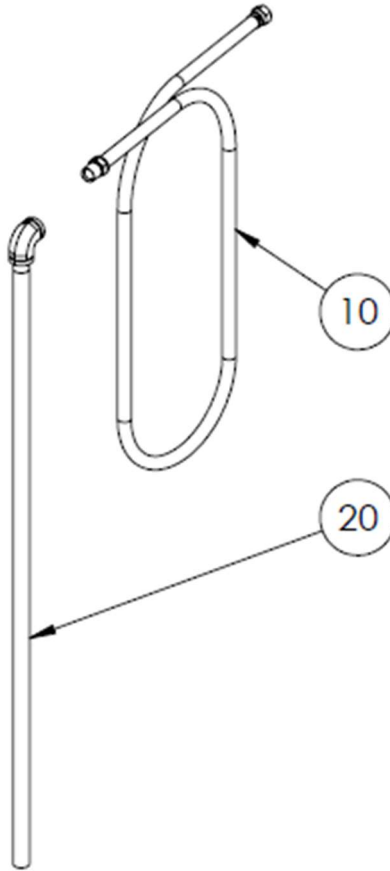


SPRAY WAND WITH HOSE ASSEMBLY: S151/S201 – PARTS LIST 5

Item #	Part #	Description	QTY	Remarks
10	560070	HOSE, SPRAY WAND, 25 FT LG.	1	05-05-2008
20	897645	BALL VALVE, 3/8" NPT, BRASS	1	05-05-2008
30	580105	SPRAY WAND, STRAIGHT SECT.	1	05-05-2008
40	891710	COUPLING, 3/8" FP	3	05-05-2008
50	580110	SPRAY WAND, BENT SECTION	1	05-05-2008
60	897565	SPRAY NOZZLE, CONE, ADJUST.	1	05-05-2008
70	14493	NOZZLE, FLAT SPRAY (OPTIONAL)	1	05-05-2008
80	14494	ADAPTER, FLAT SPRAY NOZZLE (OPTIONAL)	1	05-05-2008
90	560071	HOSE, SPRAY WAND, 50 FT LG (OPTIONAL)	1	12-14-2008
100	560072	HOSE, SPRAY WAND, 75 FT LG (OPTIONAL)	1	12-14-2008
110	560073	HOSE, SPRAY WAND, 100 FT LG (OPTIONAL)	1	12-14-2008

PARTS LIST 6 & 7 – POWER SPRAYER

SUCTION/RETURN TUBE WITH HOSE ASSEMBLY: S151/1201 (SUBASSEMBLY)



SUCTION TUBE WITH HOSE ASSEMBLY: S151/S201 – PARTS LIST 6

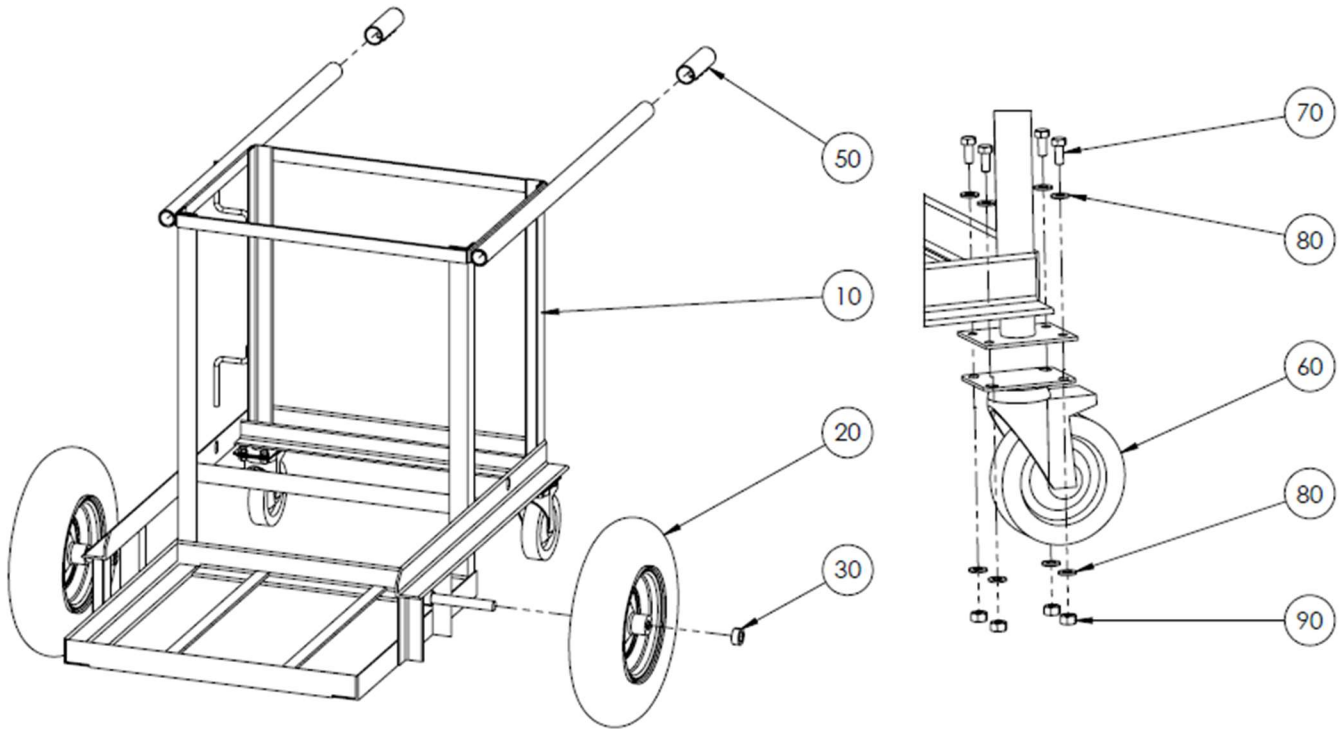
Item #	Part #	Description	QTY	Remarks
10	560025	SUCTION HOSE ASSEMBLY	1	05-05-2008
20	897961	SUCTION TUBE	1	10-26-2012

RETURN TUBE WITH HOSE ASSEMBLY: S151/S201 – PARTS LIST 7

Item #	Part #	Description	QTY	Remarks
10	560030	RETURN HOSE ASSEMBLY	1	05-05-2008
20	897962	RETURN TUBE	1	10-26-2012

PARTS LIST 8 – POWER SPRAYER

HAND CART ASSEMBLY (560060)

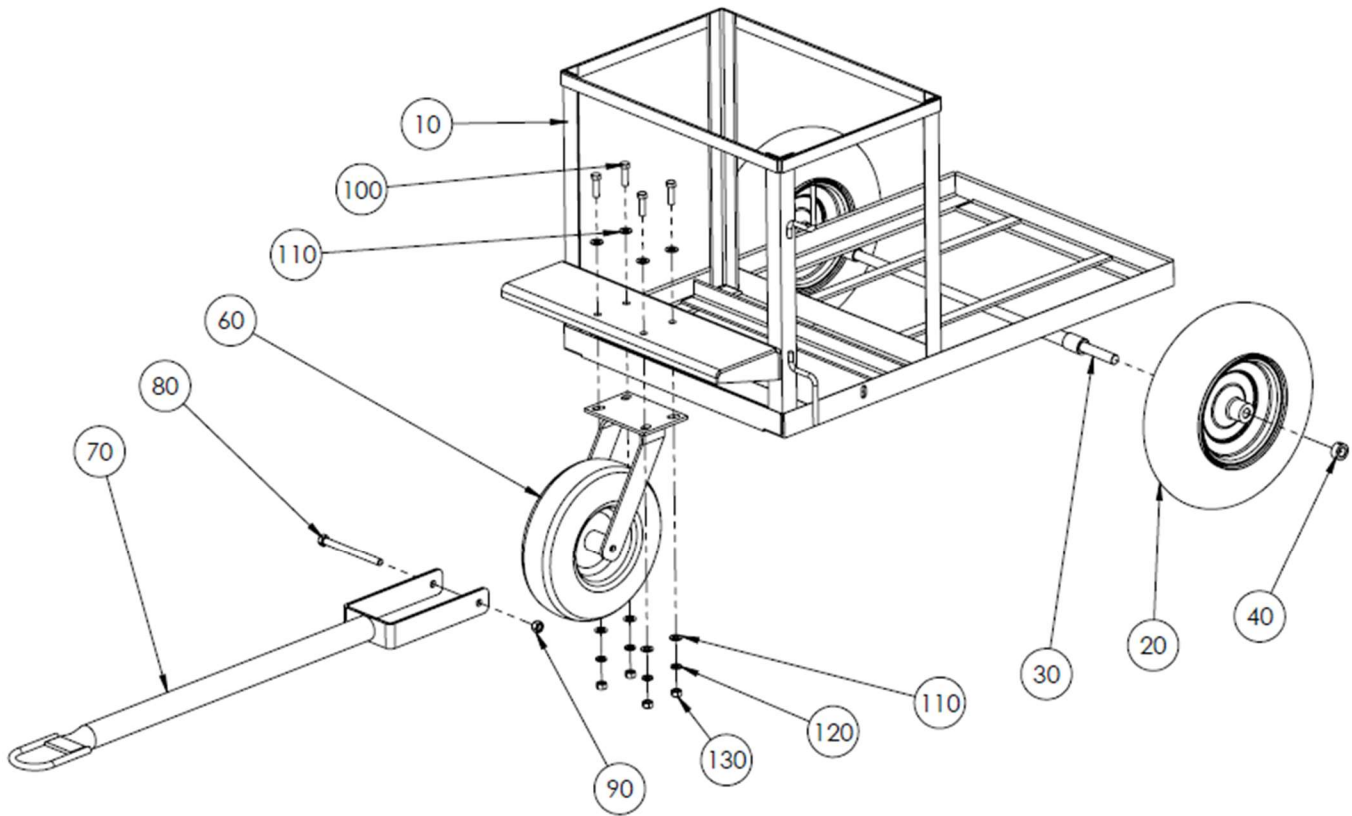


HAND CART ASSEMBLY (560060) – PARTS LIST 8

Item #	Part #	Description	QTY	Remarks
10	570030	HAND CART FRAME	1	05-05-2008
20	13198	WHEEL, 16" PNEUMATIC	2	05-05-2008
30	796065	LOCK COLLAR, WHEEL	2	05-05-2008
50	796030	GRIP, HANDLE	2	05-05-2008
60	570031	CASTER	2	07-15-2008
70	981030	HHCS, 5/16-24 X 1" LG	8	07-15-2008
80	11586	WASHER, FLAT, 5/16"	16	07-15-2008
90	980360	LOCKNUT, 5/16-24, NYLON INSERT	8	07-15-2008

PARTS LIST 9 – POWER SPRAYER

TOW CART ASSEMBLY (560065)



TOW CART ASSEMBLY (560060) – PARTS LIST 9

Item #	Part #	Description	QTY	Remarks
10	570035	FRAME, TOW CART	1	05-05-2008
20	13198	WHEEL, 16" PNEUMATIC	2	05-05-2008
30	580265	AXLE, HAND CART	1	11-10-2016
40	796065	LOCK COLLAR, WHEEL	2	05-05-2008
60	842035	FRONT WHEEL W/ CASTOR	1	05-05-2008
70	570040	TOW BAR	1	05-05-2008
80	13637	AXLE BOLT	1	05-05-2008
90	13577	AXLE NUT	1	05-05-2008
100	981050	HHCS, 7/16"-20 X 1-1/2" LG.	4	05-05-2008
110	12930	WASHER, FLAT, 7/16"	8	05-05-2008
120	990870	WASHER, LOCK, 7/16"	4	05-05-2008
130	981060	NUT, HEX, 7/16"-20	4	05-05-2008

CONTRACTOR PROVEN EQUIPMENT SINCE 1946



BARTELL GLOBAL

170 Traders Blvd E
Mississauga, ON L4Z 1W7
Canada

4701 Allmond Avenue
Louisville, KY 40209
United States

200 Commerce Drive
Freehold, NJ 07728
United States

Honeyholes Lane
Dunholme, Lincoln LN2 3SU
United Kingdom

